

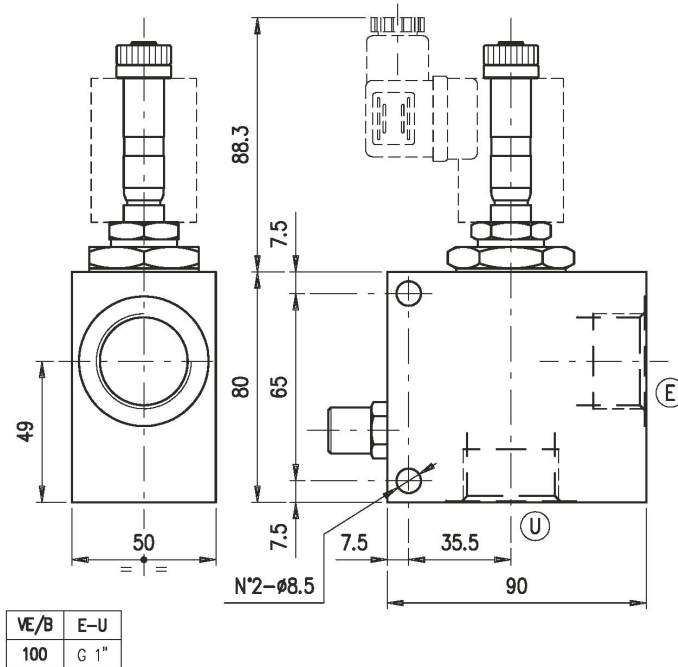
Sitzventile

– 2/2 Wege Sitzventil mit Nothand G 1" –

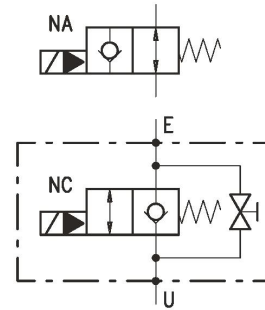


Bestellnr.	Typ	Bezeichnung	Gehäuse	max. Betriebsdruck bar	max. Durchfluss l/min	Code
230-1630-4970	VE/B 100/NC	1"	Alu	210	160	1720051102
230-1630-4975	VE/B 100 NA	1"				1720051103
230-1630-4980	VE/B 100/NC/ac	1"	Stahl	1720052102		
230-1630-4985	VE/B 100/NA/ac	1"		1720052103		

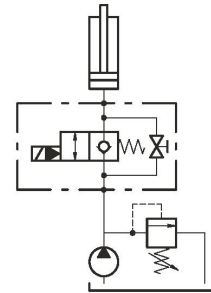
• **DIMENSIONS (mm)**



• **HYDRAULIC DIAGRAM**



• **ASSEMBLY DIAGRAM**



• **DESCRIPTION**

2-way electric valves, pilot-operated, poppet type.

• **OPERATION**

With the NA (normally opened) valve version and dropped-out solenoid, the oil flow is free from E to U and vice versa. When the solenoid is energized the flow is stopped from E to U and is free from U to E.

With the NC (normally closed) valve version and dropped out solenoid, the oil flow is stopped from E to U and is free from U to E. When the solenoid is energized the flow is free both from E to U and vice versa.

• **PERFORMANCE**

Maximum flow: 160 l/min

Maximum pressure:

– Aluminium body 210 bar

– Steel body 350 bar

Solenoids: BT/... see page Z.2001.200. NOTE: BT...RAC solenoids and special connector should be strictly used with the NA version powered by AC current

Oil leaks from E to U: 0.10 cc/minute (2 drops) at 210 bar and oil viscosity of 46 cSt

Working temperature:

– Minimum -25°C max 90°C with standard BUNA N gaskets

– Minimum -20°C max 120°C with VITON gaskets on request

• **RECOMMENDATIONS**

Fluid: best use mineral oil with viscosity ranging between 10 and 200 cSt

Filter: see page Z.9000.000.

Weight:

– 1.15 kg (aluminium body)

– 2.45 kg. (steel body)

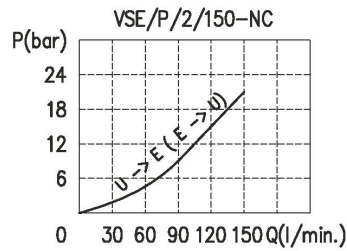
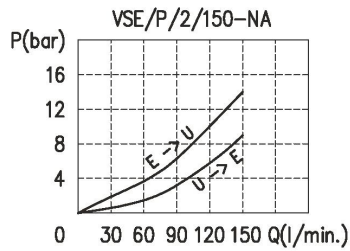
Material: high-grade steel duly treated and fabricated.

For more information please ask our technical office.

Variations and modifications of technical features and dimensions are reserved. **OLEOSTAR S.p.A.** also reserves the right to stop production of each and any model listed in the catalogue with no notice.

Copyrights on the text contained herein belong to **OLEOSTAR S.p.A.** . Partial and full reproductions or copies of this catalogue are forbidden.

• RATING DIAGRAMS



Oil viscosity 46 cSt

• CODE NUMBER

