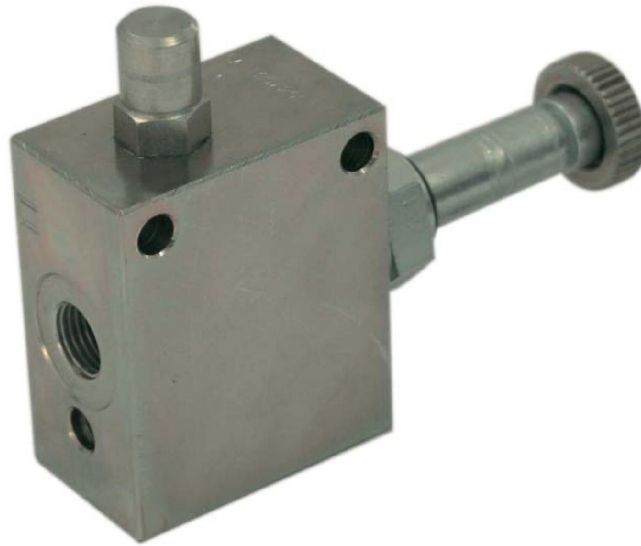


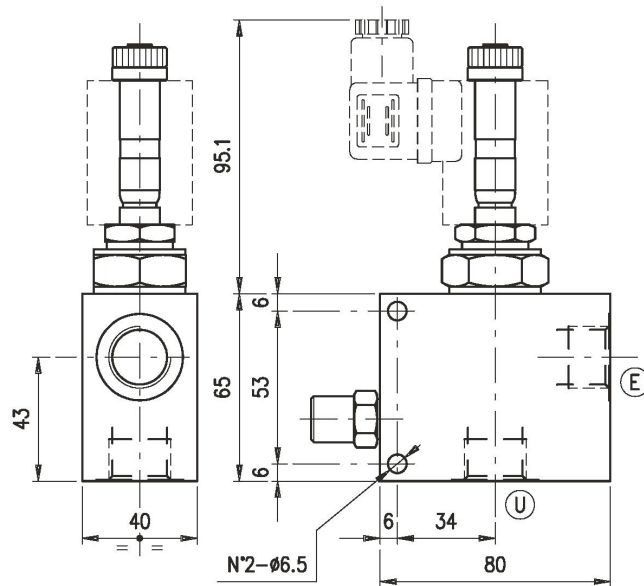
Sitzventile

– 2/2 Wege Sitzventil mit Nothand G 1/2" und G 3/4" –



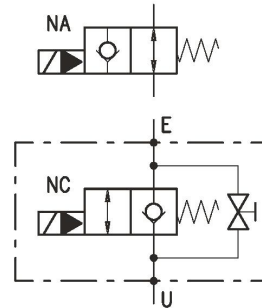
| Bestellnr. | Typ | Bezeichnung | Gehäuse | max. Betriebsdruck bar | max. Durchfluss l/min | Code |
|---------------|-----------------|-------------|---------|------------------------|-----------------------|------------|
| 230-1620-4930 | VE/B 12/NC | 1/2" | Alu | 210 | 60 | 1720031102 |
| 230-1620-4935 | VE/B 12/NA | 1/2" | | | | 1720031103 |
| 230-1620-4940 | VE/B 12/NC/ac | 1/2" | Stahl | 350 | | 1720032101 |
| 230-1620-4945 | VE/B 12/NA/ac | 1/2" | | 1720032102 | | |
| 230-1620-4950 | VE/B 34 NC | 3/4" | Alu | 210 | 75 | 1720041104 |
| 230-1620-4955 | VE/B 34 NA | 3/4" | | | | 1720041105 |
| 230-1620-4960 | VE/B 34/NC/ac | 3/4" | Stahl | 350 | | 1720042102 |
| 230-1620-4965 | VE/B 34/NA/ac | 3/4" | | | | 1720042103 |
| 230-1620-4990 | VE/B 114 NC/VEI | | | | | 1720061101 |
| 230-1620-4995 | VE/B 114 NA/VEI | | | | | 1720061102 |

• **DIMENSIONS (mm)**

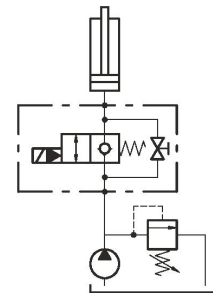


| VE/B | E-U |
|------|-------|
| 12 | G 1/2 |
| 34 | G 3/4 |

• **HYDRAULIC DIAGRAM**



• **ASSEMBLY DIAGRAM**



• **DESCRIPTION**

2-way electric valves, pilot-operated, poppet type.

• **OPERATION**

With the NA (normally opened) valve version and dropped-out solenoid, the oil flow is free from E to U and vice versa. When the solenoid is energized the flow is stopped from E to U and is free from U to E.

With the NC (normally closed) valve version and dropped out solenoid, the oil flow is stopped from E to U and is free from U to E. When the solenoid is energized the flow is free both from E to U and vice versa.

• **PERFORMANCE**

Maximum flow:

- VE/B 12: 60 l/min
- VE/B 34: 75 l/min.

Maximum pressure:

- Aluminium body 210 bar
- Steel body 350 bar

Solenoids: BT/... see page Z.2001.200. NOTE: BT...RAC solenoids and special connector should be strictly used with the NA version powered by AC current

Oil leaks from E to U: 0.10 cc/minute (2 drops) at 210 bar and oil viscosity of 46 cSt

Working temperature:

- Minimum -25°C max 90°C with standard BUNA N gaskets
- Minimum -20°C max 120°C with VITON gaskets on request

• **RECOMMENDATIONS**

Fluid: best use mineral oil with viscosity ranging between 10 and 200 cSt

Weight:

- VE/B 12: aluminium body: 0.78 kg - steel body: 1.59 kg
- VE/B 34: aluminium body: 0.76 kg - steel body: 1.55 kg

Cartridge used: see page 9, 1000.300.

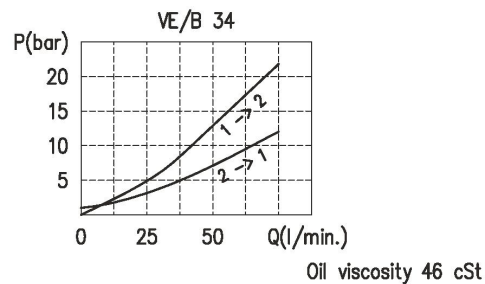
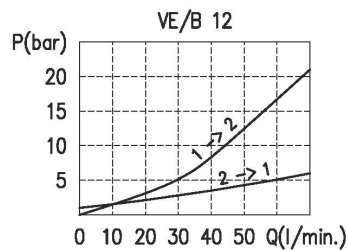
Material: high-grade steel duly treated and fabricated.

For more information please ask our technical office.

Variations and modifications of technical features and dimensions are reserved. **OLEOSTAR S.p.A.** also reserves the right to stop production of each and any model listed in the catalogue with no notice.

Copyrights on the text contained herein belong to **OLEOSTAR S.p.A.** . Partial and full reproductions or copies of this catalogue are forbidden.

• RATING DIAGRAMS



• CODE NUMBER

