

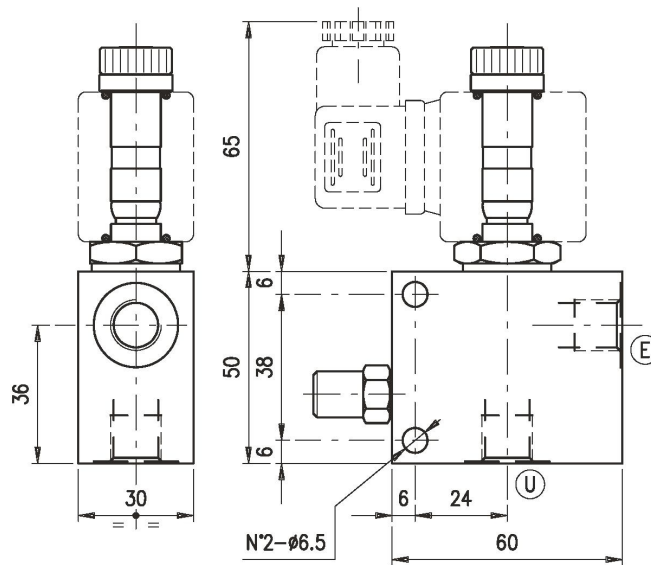
Sitzventile

– 2/2 Wege Sitzventil mit Nothand G 1/4" –



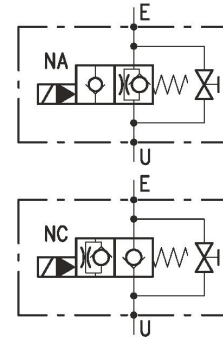
Bestellnr.	Typ	Bezeichnung	Gehäuse	max. Betriebsdruck bar	max. Durchfluss l/min	Code
230-1600-4890	VE/B 14/NC	1/4"	Alu	210	20	1720011100
230-1600-4895	VE/B 14/NA	1/4"				1720011101
230-1600-4900	VE/B 14 NC/ac	1/4"	Stahl	1720012100		
230-1600-4905	VE/B 14 NA/ac	1/4"		1720012101		

• **DIMENSIONS (mm)**

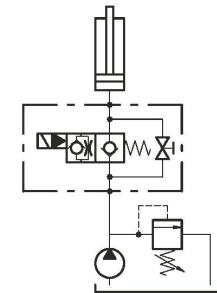


VE/B	E-U
14	G 1/4
38/VP	G 3/8

• **HYDRAULIC DIAGRAM**



• **ASSEMBLY DIAGRAM**



• **DESCRIPTION**

2-way electric valves, pilot-operated, poppet type.

• **OPERATION**

With the NA (normally opened) valve version and dropped-out solenoid, the oil flow is free from E to U and is restricted by a 0.4mm large hole in the opposite direction. When the solenoid is energized the flow is stopped from E to U and is free from U to E.

With the NC (normally closed) valve version and dropped out solenoid, the oil flow is stopped from E to U and is free from U to E. When the solenoid is energized the flow is free from E to U and is restricted by a 0.4mm large hole in the opposite direction.

• **PERFORMANCE**

Maximum flow: 20 l/min.

Maximum pressure: 210 bar (both with aluminium and steel body)

Solenoids: BE/... see page Z.2001.100.

Oil leaks from E to U: 0.10 cc/minute (2 drops) at 210 bar and oil viscosity of 46 cSt

Working temperature:

- Minimum -25°C max 90°C with standard BUNA N gaskets
- Minimum -20°C max 120°C with VITON gaskets on request

• **RECOMMENDATIONS**

Fluid: best use mineral oil with viscosity ranging between 10 and 200 cSt

Filter: see page Z.9000.000.

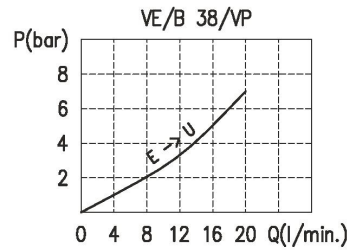
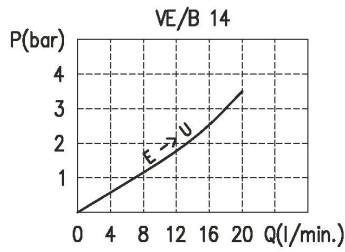
Weight:

- 0.32 kg (aluminium body)
- 0.69 kg (steel body)

Cartridge used: see page L.1100.100.

Material: high-grade steel duly treated and fabricated.

• **RATING DIAGRAMS**



Oil viscosity 46 cSt

• **CODE NUMBER**

