

Stromregelventil

– 3 Wege druckkompensiert G 3/8" und G 1/2" –

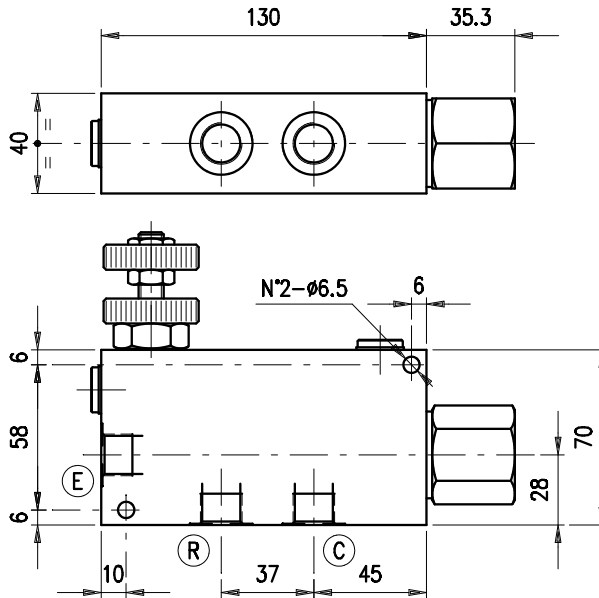


Bestellnr.	Typ	Bezeichnung	Gehäuse	max. Betriebsdruck bar	max. Durchfluss l/min	Code
230-1320-4145	VPR/3/EP 38/V	3/8"-Handrad	Alu	210	50/30	1630021100
230-1320-4150	VPR/3/EP 38/MG	3/8"-Skalenknauf				1630021101
230-1320-4155	VPR/3/EP 38/L	3/8"-Hebelverstellung				1630021102
230-1320-4160	VPR/3/EP 38/V/ac	3/8"-Handrad	Stahl	350		1630022100
230-1320-4165	VPR/3/EP 38/MG/ac	3/8"-Skalenknauf				1630022101
230-1320-4170	VPR/3/EP 38/L/ac	3/8"-Hebelverstellung				1630022104
230-1320-4175	VPR/3/EP 12/V	1/2"-Handrad	Alu	210	90/50	1630031100
230-1320-4180	VPR/3/EP 12/MG	1/2"-Skalenknauf				1630031101
230-1320-4185	VPR/3/EP 12/L	1/2"-Hebelverstellung				1630031102
230-1320-4190	VPR/3/EP 12/V/ac	1/2"-Handrad	Stahl	350		1630032100
230-1320-4195	VPR/3/EP 12/MG/ac	1/2"-Skalenknauf				1630032103
230-1320-4200	VPR/3/EP 12/L/ac	1/2"-Hebelverstellung				1630032107
230-1320-4205	VPR/3/EP 12/S/ac	1/2"-Hutmutter			1630032109	

230-1320

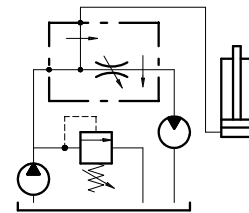
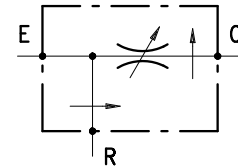
FLOW REGULATOR PRESSURE COMPENSATED
VPR /3 /EP 38 (12)

• DIMENSIONS (mm)



VPR/3/EP	E	R	U
38	G 3/8	G 3/8	G 3/8
12	G 1/2	G 1/2	G 1/2

• HYDRAULIC DIAGRAM



• DESCRIPTION

3-ways flow regulator, pressure compensated and exceeding flow to pressure.

• OPERATION

The valve is designed to keep constant flow in C and concurrently discharge exceeding flow in R for other applications. Best performance of the valve is assured when the flow in E is at least 10% bigger than in C. Pressure variations in C and R do not alter the constant flow in C. Make sure that a pressure relief valve is always used between the pump and the valve.

• PERFORMANCE

Maximum flow:

VPR/3/EP 38: E = 50 l/min. Qmax in C = 30 l/min.

VPR/3/EP 12: E = 90 l/min. Qmax in C = 50 l/min.

Maximum Pressure:

- aluminium body 210 bar
- steel body 350 bar

Maximum pressure compensation error: see performance graphs.

Working temperature:

- Minimum -25°C max 90°C with standard BUNA N gaskets
- Minimum -20°C max 120°C with VITON gaskets on request

• RECOMMENDATIONS

Fluid: best use mineral oil with viscosity ranging between 10 and 200 cSt

Filter: see page Z.9000.000.

Weight:

- VPR/3/EP 38: aluminium body 1.25 kg - steel body 2.85 kg

230-1320

- VPR/3/EP 12: aluminium body 1.35 kg - steel body 2.80 kg

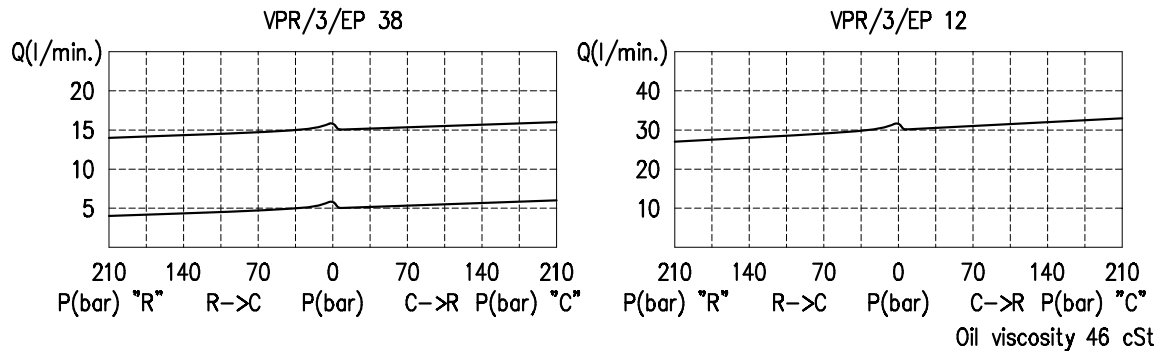
Material: internal components made out of high-grade steel duly treated and fabricated.

For more information please ask our technical office.

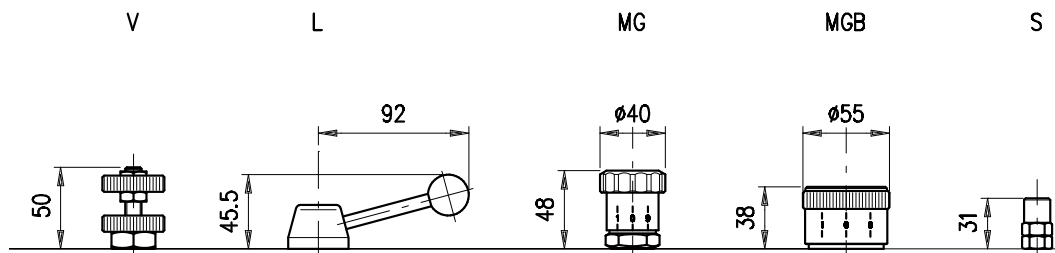
Variations and modifications of technical features and dimensions are reserved. **OLEOSTAR S.p.A.** also reserves the right to stop production of each and any model listed in the catalogue with no notice.

Copyrights on the text contained herein belong to **OLEOSTAR S.p.A.** . Partial and full reproductions or copies of this catalogue are forbidden.

• RATING DIAGRAMS



• ADJUSTMENTS



• CODE NUMBER

