

## Stromregelventil

– 3 Wege druckkompensiert, mit Druckbegrenzungsventil  
und 2/2 Wege Entlastungsventil G 3/8" und G 1/2" –

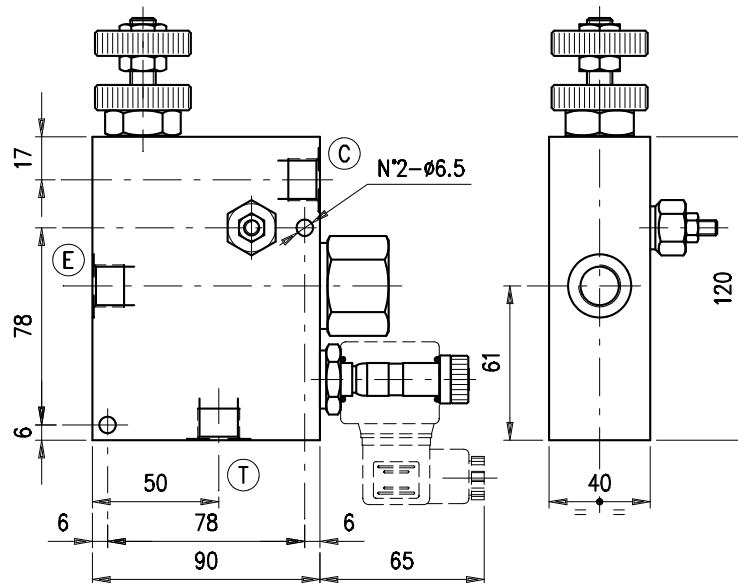


Bestellnr.	Typ	Bezeichnung	Gehäuse	max. Betriebsdruck bar	max. Durchfluss l/min	Code
230-1280-3940	VPR/3/ET 38+VMP+VE.NA/V/02.TS	3/8"-EB: 50-220bar-Handrad	Alu	210	50/30	1624021100
230-1280-3945	VPR/3/ET 38+VMP+VE.NA/MG/02.TS	3/8"-EB: 50-220bar-Skalenknauf				1624021101
230-1280-3950	VPR/3/ET 38+VMP+VE.NA/L/02.TS	3/8"-EB: 50-220bar-Hebelv.				1624021102
230-1280-3955	VPR/3/ET 38+VMP+VE.NC/V/02.TS	3/8"-EB: 50-220bar-Handrad				1624021103
230-1280-3960	VPR/3/ET 38+VMP+VE.NC/MG/02.TS	3/8"-EB: 50-220bar-Skalenknauf				1624021104
230-1280-3965	VPR/3/ET 38+VMP+VE.NC/L/02.TS	3/8"-EB: 50-220bar-Hebelv.				1624021105
230-1280-3970	VPR/3/ET 38+VMP+VSE40.NA/V/02.TR/ac	3/8"-EB: 180-350bar-Handrad	Stahl	350		1624022100
230-1280-3975	VPR/3/ET 12+VMP+VE.NA/V/02.TS	1/2"-EB: 50-220bar-Handrad	Alu	210	90/50	1624031100
230-1280-3980	VPR/3/ET 12+VMP+VE.NA/MG/02.TS	1/2"-EB: 50-220bar-Skalenknauf				1624031101
230-1280-3985	VPR/3/ET 12+VMP+VE.NA/L/02.TS	1/2"-EB: 50-220bar-Hebelv.				1624031102
230-1280-3990	VPR/3/ET 12+VMP+VE.NC/V/02.TS	1/2"-EB: 50-220bar-Handrad				1624031103
230-1280-3995	VPR/3/ET 12+VMP+VE.NC/MG/02.TS	1/2"-EB: 50-220bar-Skalenknauf				1624031104
230-1280-4000	VPR/3/ET 12+VMP+VE.NC/L/02.TS	1/2"-EB: 50-220bar-Hebelv.				1624031105
230-1280-4005	VPR/3/ET 12+VMP+VE.NA/V/02.TV	1/2"-EB: 0-80bar-Handrad				1624031106
230-1280-4010	VPR/3/ET 12+VMP+VE.NC/MG/02.TS.V	1/2"-EB: 50-220bar-Skalenknauf				1624031107
230-1280-4015	VPR/3/ET 12+VMP+VE.NA/MG/02.TS/ac	1/2"-EB: 50-220bar-Skalenknauf	Stahl	350		1624032100
230-1280-4020	VPR/3/ET 12+VMP+VE.NA/V/02.TS/ac	1/2"-EB: 50-220bar-Handrad				

230-1280

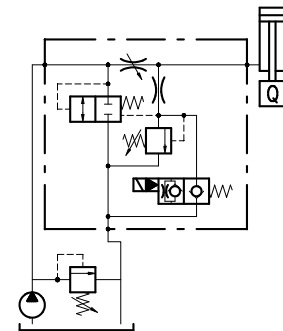
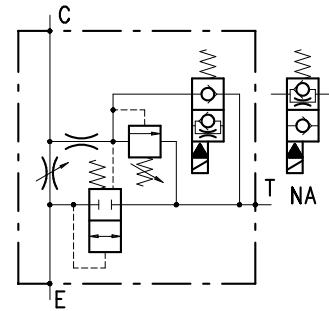
FLOW REGULATOR PRESSURE COMPENSATED  
VPR /3 /ET 38 (12) + VMP

• DIMENSIONS (mm)



VPR/3/ET ...+VMP+VE	E	T	C
38	G 3/8	G 3/8	G 3/8
12	G 1/2	G 1/2	G 1/2

• HYDRAULIC DIAGRAM



• DESCRIPTION

3-ways flow regulator, pressure compensated and exceeding flow to tank, with built-in relief valve and discharge on the checked way.

• OPERATION

The valve is designed to provide flow adjustment from E to C by a variation of the oil flow section. Exceeding flow is concurrently discharged in T. A pressure built-in relief valve provides operative pressure control in C while the solenoid allows oil discharge of the checked flow. Best performance of the valve is assured when the flow in E is at least 10% bigger than in C. Pressure variations in C do not alter the checked oil flow. On the contrary, eventual back pressure in T may cause inconstant capacity in C.

• PERFORMANCE

**Maximum flow:**

- VPR/3/ET 38/VMP+VE: E = 50 l/min. C = 30 l/min.

- VPR/3/ET 12/VMP+VE: E = 90 l/min. C = 50 l/min.

**Maximum Pressure:**

- aluminium body: 210 bar

- steel body: 350 bar

**Maximum pressure compensation error:** see performance graphs.

**Solenoids:**

- BE/... (210 bar): see page Z.2001.100

- BE/... (350 bar): see page Z.2001.200

**Working temperature:**

- Minimum -25°C max 90°C with standard BUNA N gaskets

- Minimum -20°C max 120°C with VITON gaskets on request

• RECOMMENDATIONS

**Fluid:** best use mineral oil with viscosity ranging between 10 and 200 cSt

230-1280

**Filter:** see page Z.9000.000.

**Weight:**

- aluminium body: 1.45 kg
- steel body: 3.08 kg

**Cartridge valve:**

- Pressure relief: see page 1.1000.000
- Solenoid (210 bar): see page L.1100.100
- Solenoid (350 bar): see page L.1100.250

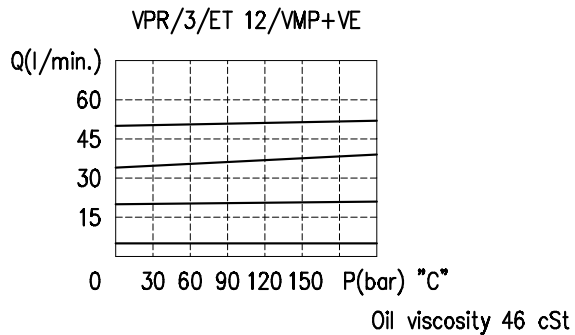
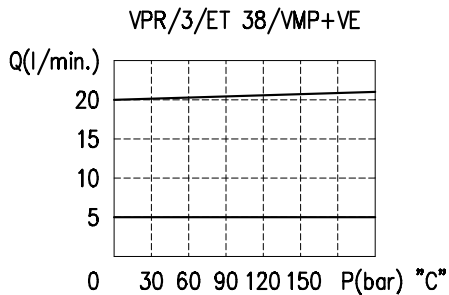
**Material:** internal components made out of high-grade steel duly treated and fabricated.

For more information please ask our technical office.

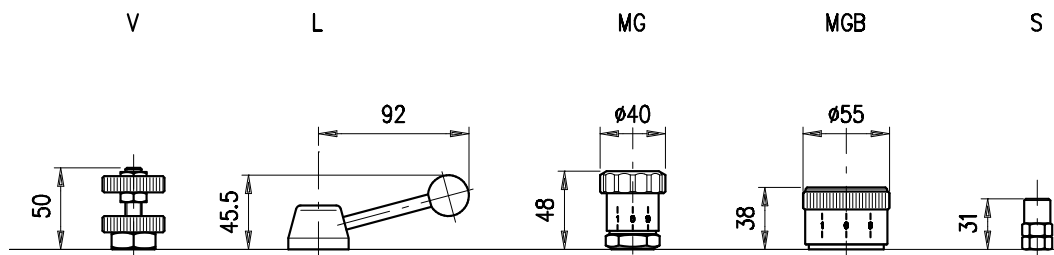
Variations and modifications of technical features and dimensions are reserved. **OLEOSTAR S.p.A.** also reserves the right to stop production of each and any model listed in the catalogue with no notice.

Copyrights on the text contained herein belong to **OLEOSTAR S.p.A.** . Partial and full reproductions or copies of this catalogue are forbidden.

**RATING DIAGRAMS**



**ADJUSTMENTS**



**CODE NUMBER**

