

Stromregelventil

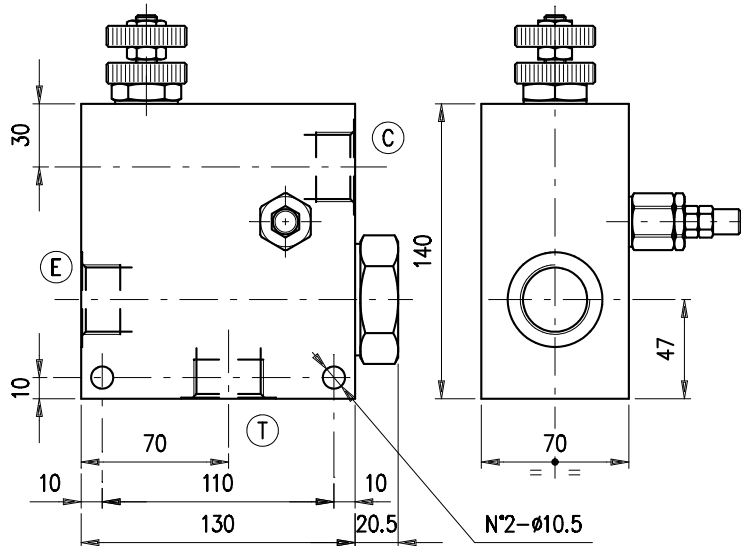
– 3 Wege druckkompensiert, mit Druckbegrenzungsventil G 1" –



Bestellnr.	Typ	Bezeichnung	Gehäuse	max. Betriebsdruck bar	max. Durchfluss l/min	Code
230-1230-3810	VPR/3/ET/VMP 100/MG/03.TS	1"-EB: 50-220bar-Skalenknauf	Alu	210	240/150	1623051101
230-1230-3815	VPR/3/ET/VMP 100/L/03.TS	1"-EB: 50-220bar-Hebelv.				1623051102
230-1230-3820	VPR/3/ET/VMP 100/V/03.TS.S	1"-EB: 50-220bar-Handrad				1623051103
230-1230-3825	VPR/3/ET/VMP 100/V/03.TB.S	1"-EB: 5-40bar-Handrad				1623051104
230-1230-3830	VPR/3/ET/VMP 100/V/03.TR.S	1"-EB: 180-350bar-Handrad				1623051106
230-1230-3835	VPR/3/ET/VMP 100/W/03.TS/ac	1"-EB: 50-220bar-IS	Stahl	350	240/150	1623052100
230-1230-3840	VPR/3/ET/VMP 100/V/03.TS/ac	1"-EB: 50-220bar-Handrad				1623052104
230-1230-3845	VPR/3/ET/VMP 100/MG/03.TS/ac	1"-EB: 50-220bar-Skalenknauf				1623052105
230-1230-3850	VPR/3/ET/VMP 100/V/03.TR/ac	1"-EB: 180-350bar-Handrad				1623052106

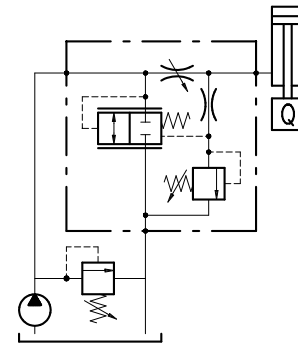
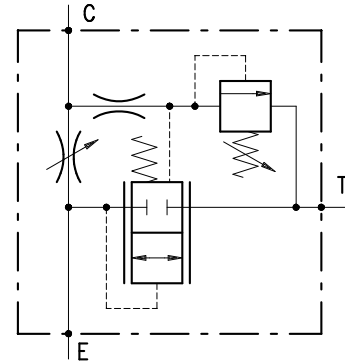
FLOW REGULATOR PRESSURE COMPENSATED
VPR /3 /ET /VMP 100

• DIMENSIONS (mm)



E	T	C
G 1"	G 1"	G 1"

• HYDRAULIC DIAGRAM



• DESCRIPTION

3-ways flow regulator, pressure compensated, with built-in relief valve on the checked way and exceeding flow to tank

• OPERATION

The valve is designed to provide flow adjustment from E to C by a variation of the oil flow section. Exceeding flow is concurrently discharged in T while a pressure built-in relief valve provides operative pressure control in C. Best performance of the valve is assured when the flow in E is at least 10% bigger than in C. Pressure variations in C do not alter the checked oil flow. On the contrary, eventual back pressure in T may cause inconstant capacity in C.

• PERFORMANCE

Maximum flow: E = 240 l/min. C = 150 l/min.

Maximum Pressure:

- aluminium body: 210 bar

- steel body: 350 bar

Maximum pressure compensation error: see performance graphs.

Working temperature:

- Minimum -25°C max 90°C with standard BUNA N gaskets

- Minimum -20°C max 120°C with VITON gaskets on request

• RECOMMENDATIONS

Fluid: best use mineral oil with viscosity ranging between 10 and 200 cSt

Filter: see page Z.9000.000.

Weight:

- aluminium body: 4.10 kg

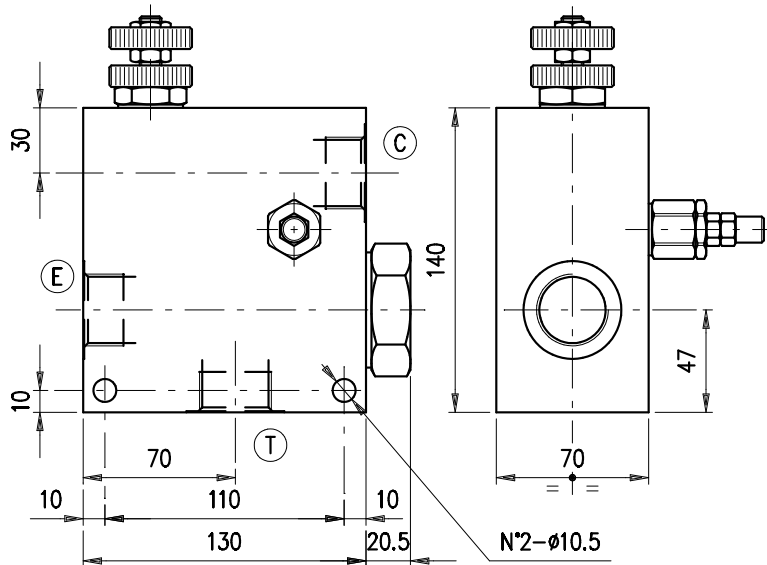
- steel body: 8.25 kg

Relief cartridge valve: see page D.1000.050.

230-1230

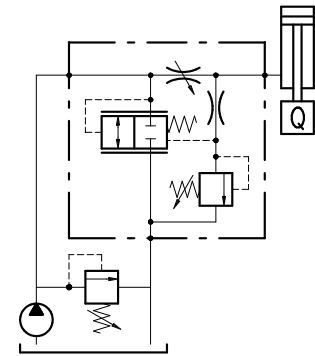
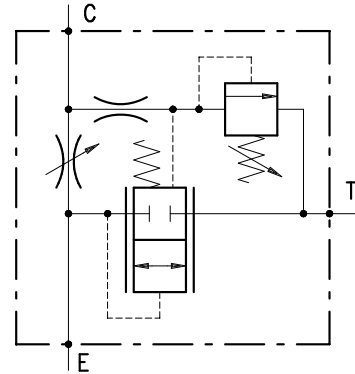
FLOW REGULATOR PRESSURE COMPENSATED
VPR /3 /ET /VMP 100

• DIMENSIONS (mm)



E	T	C
G 1"	G 1"	G 1"

• HYDRAULIC DIAGRAM



• DESCRIPTION

3-ways flow regulator, pressure compensated, with built-in relief valve on the checked way and exceeding flow to tank

• OPERATION

The valve is designed to provide flow adjustment from E to C by a variation of the oil flow section. Exceeding flow is concurrently discharged in T while a pressure built-in relief valve provides operative pressure control in C. Best performance of the valve is assured when the flow in E is at least 10% bigger than in C. Pressure variations in C do not alter the checked oil flow. On the contrary, eventual back pressure in T may cause inconstant capacity in C.

• PERFORMANCE

Maximum flow: E = 240 l/min. C = 150 l/min.

Maximum Pressure:

- aluminium body: 210 bar
- steel body: 350 bar

Maximum pressure compensation error: see performance graphs.

Working temperature:

- Minimum -25°C max 90°C with standard BUNA N gaskets
- Minimum -20°C max 120°C with VITON gaskets on request

• RECOMMENDATIONS

Fluid: best use mineral oil with viscosity ranging between 10 and 200 cSt

Filter: see page Z.9000.000.

Weight:

- aluminium body: 4.10 kg
- steel body: 8.25 kg

230-1230