

Stromregelventil

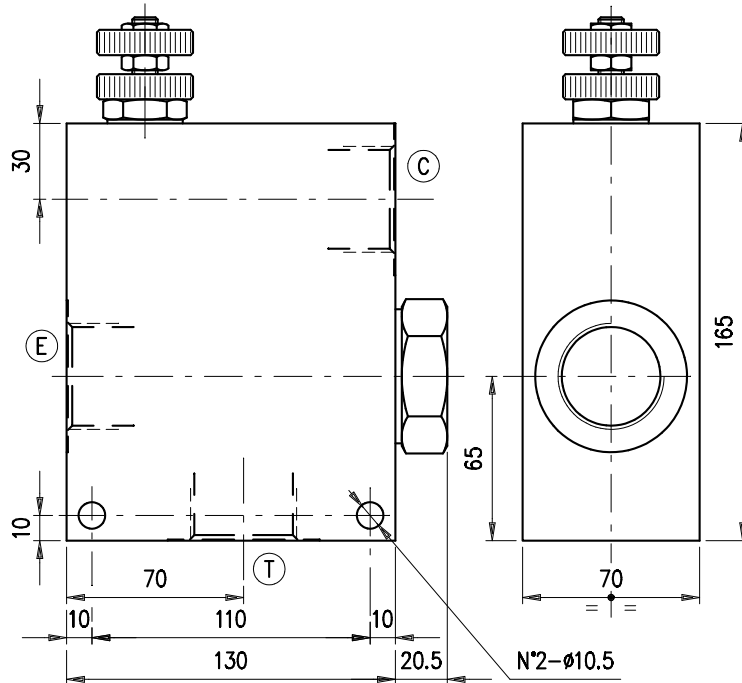
– 3 Wege druckkompensiert, G 1 1/4" –



Bestellnr.	Typ	Bezeichnung	Gehäuse	max. Betriebsdruck bar	max. Durchfluss l/min	Code
230-1170-3600	VPR/3/ET 114/V	1 1/4"-Handrad	Alu	210	350/250	1620061100
230-1170-3605	VPR/3/ET 114/MG	1 1/4"-Skalenknauf				1620061101
230-1170-3610	VPR/3/ET 114/L	1 1/4"-Hebelverstellung				1620061102
230-1170-3615	VPR/3/ET 114/V/ac	1 1/4"-Handrad	Stahl	350	350/250	1620062101
230-1170-3620	VPR/3/ET 114/MG/ac	1 1/4"-Skalenknauf				1620062102
230-1170-3625	VPR/3/ET 114/L/ac	1 1/4"-Hebelverstellung				1620062103

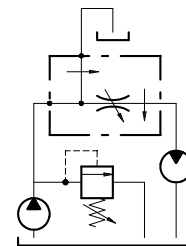
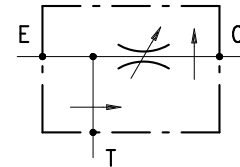
FLOW REGULATOR PRESSURE COMPENSATED
VPR /3 /ET 114

• DIMENSIONS (mm)



E	T	C
G 1" 1/4	G 1" 1/4	G 1" 1/4

• HYDRAULIC DIAGRAM



• DESCRIPTION

3-ways flow regulator, pressure compensated, exceeding flow to tank.

• OPERATION

The valve is designed to provide flow adjustment from E to C by a variation of the oil flow section. Exceeding flow is concurrently sent to tank T. Best performance of the valve is assured when the flow in E is at least 10% bigger than in C. Pressure variations in C do not alter the checked oil flow. On the contrary, eventual back pressure in T may cause inconstant capacity in C. Use of a pressure relief valve between the pump and the flow regulator is strictly recommended.

• PERFORMANCE

Maximum flow: E = 350 l/min. C = 250 l/min.

Maximum Pressure:

- Aluminium body: 210 bar

- Steel body: 350 bar

Maximum pressure compensation error: see performance graphs.

Working temperature:

- Minimum -25°C max 90°C with standard BUNA N gaskets

- Minimum -20°C max 120°C with VITON gaskets on request

• RECOMMENDATIONS

Fluid: best use mineral oil with viscosity ranging between 10 and 200 cSt

Filter: see page Z.9000.000.

Weight:

- aluminium body: 9.50 kg

- steel body: 23.90 kg

Material: internal components made out of high-grade steel duly treated and fabricated.

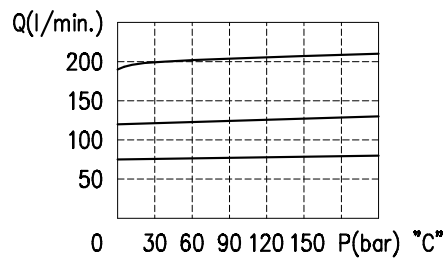
230-1170

For more information please ask our technical office.

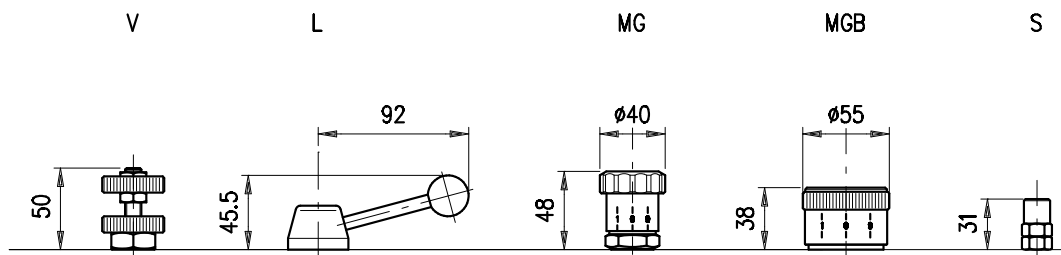
Variations and modifications of technical features and dimensions are reserved. **OLEOSTAR S.p.A.** also reserves the right to stop production of each and any model listed in the catalogue with no notice.

Copyrights on the text contained herein belong to **OLEOSTAR S.p.A.** . Partial and full reproductions or copies of this catalogue are forbidden.

• RATING DIAGRAMS



Oil viscosity 46 cSt



• CODE NUMBER

