

Stromregelventil

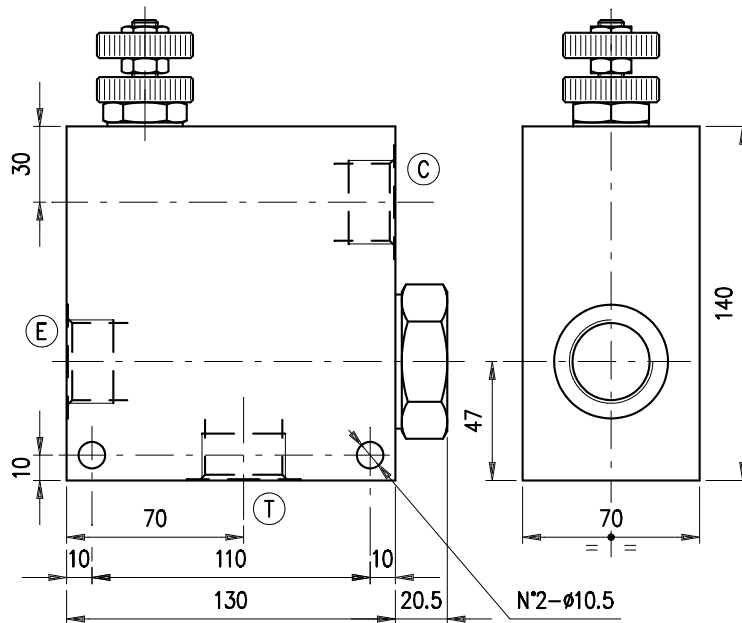
– 3 Wege druckkompensiert, G 1" –



Bestellnr.	Typ	Bezeichnung	Gehäuse	max. Betriebsdruck bar	max. Durchfluss l/min	Code
230-1160-3565	VPR/3/ET 100/V	1"-Handrad	Alu	210	240/150	1620051100
230-1160-3570	VPR/3/ET 100/MG	1"-Skalenknauf				1620051101
230-1160-3575	VPR/3/ET 100/L	1"-Hebelverstellung				1620051102
230-1160-3580	VPR/3/ET 100/S/ac	1"-Hutmutter	Stahl	350	240/150	1620052100
230-1160-3585	VPR/3/ET 100/V/ac	1"-Handrad				1620052101
230-1160-3590	VPR/3/ET 100/MG/ac	1"-Skalenknauf				1620052102
230-1160-3595	VPR/3/ET 100/L/ac	1"-Hebelverstellung				1620052103

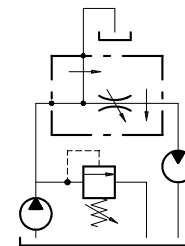
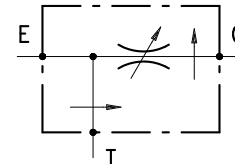
FLOW REGULATOR PRESSURE COMPENSATED
VPR /3 /ET 100

• DIMENSIONS (mm)



E	T	C
G 1"	G 1"	G 1"

• HYDRAULIC DIAGRAM



• DESCRIPTION

3-ways flow regulator, pressure compensated, exceeding flow to tank.

• OPERATION

The valve is designed to provide flow adjustment from E to C by a variation of the oil flow section. Exceeding flow is concurrently sent to tank T. Best performance of the valve is assured when the flow in E is at least 10% bigger than in C. Pressure variations in C do not alter the checked oil flow. On the contrary, eventual back pressure in T may cause inconstant capacity in C. Use of a pressure relief valve between the pump and the flow regulator is strictly recommended.

• PERFORMANCE

Maximum flow: E = 240 l/min. C = 150 l/min.

Maximum Pressure:

- Aluminium body: 210 bar
- Steel body: 350 bar

Maximum pressure compensation error: see performance graphs.

Working temperature:

- Minimum -25°C max 90°C with standard BUNA N gaskets
- Minimum -20°C max 120°C with VITON gaskets on request

• RECOMMENDATIONS

Fluid: best use mineral oil with viscosity ranging between 10 and 200 cSt

Filter: see page Z.9000.000.

Weight:

- aluminium body: 4.00 kg
- steel body: 9.00 kg

Material: internal components made out of high-grade steel duly treated and fabricated.

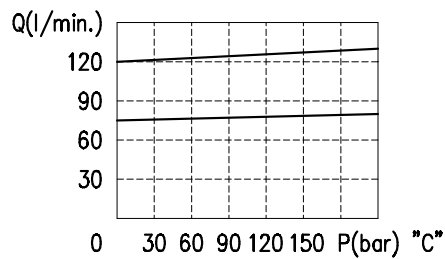
230-1160

For more information please ask our technical office.

Variations and modifications of technical features and dimensions are reserved. **OLEOSTAR S.p.A.** also reserves the right to stop production of each and any model listed in the catalogue with no notice.

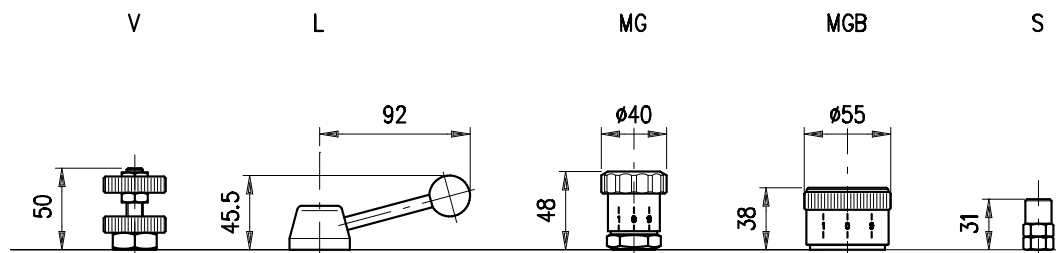
Copyrights on the text contained herein belong to **OLEOSTAR S.p.A.** . Partial and full reproductions or copies of this catalogue are forbidden.

• RATING DIAGRAMS



Oil viscosity 46 cSt

• ADJUSTMENTS



• CODE NUMBER

