

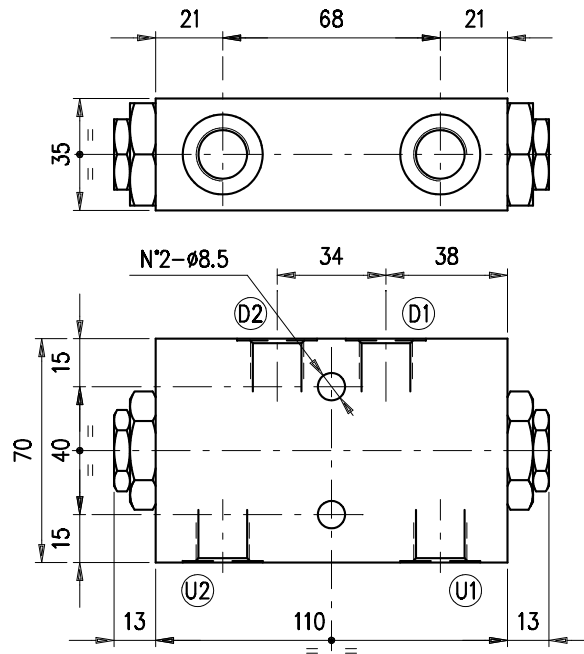
Entsperrbares Rückschlagventil – doppelwirkend G 1/2" –



| Bestellnr. | Typ | Bezeichnung | Gehäuse | max. Betriebsdruck bar | max. Durchfluss l/min | Code |
|---------------|------------------|-------------------------|---------|---------------------------|--------------------------|------------|
| 230-0830-2630 | VBPDL/T 12/p4 | 1/2"-Öffnungsverh.1:4,5 | Alu | 210 | 50 | 1422031100 |
| 230-0830-2635 | VBPDL/T 12/p4/ac | 1/2"-Öffnungsverh.1:4,5 | Stahl | 350 | 50 | 1422032100 |

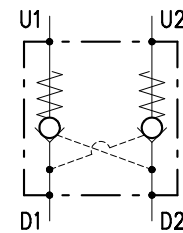
PILOT CHECK AND OVERCENTER VALVES
VBPDL /T 12

• DIMENSIONS (mm)

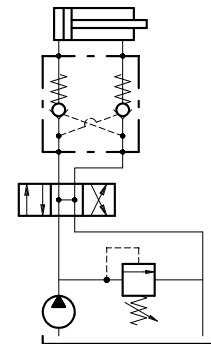


| VBPDL/T | D1-D2 | U1-U2 |
|---------|-------|-------|
| 12 | G 1/2 | G 1/2 |

• HYDRAULIC DIAGRAM



• ASSEMBLY DIAGRAM



• DESCRIPTION

Pilot operated check valve, double acting with cross outlets.

• OPERATION

Allows oil flow from D1/D2 to U1/U2 and stops it in the opposite way (from U1/U2 to D1/D2). Free oil flow from U1/U2 to D1/D2 is strictly possible when the pilot pressure in the opposite way is strong enough to open the valve poppet. To assert the minimum opening pressure divide the value of pressure in U1/U2 by the pilot ratio. To provide best valve performance from U1/U2 to D1/D2 make sure that no backpressure arises in D1/D2.

• PERFORMANCE

Maximum flow: 50 l/min.

Maximum pressure:

- 210 bar aluminium valve

- 350 bar steel valve

Oil leak from U1/U2 to D1/D2: 0,25 cc/minute (5 drops) at 210 bar.

Pilot ratio:

- 1:4 (standard)

- 1:6.3 (on request)

- 1:7.5 (on request)

Working temperature:

- min. -25°C max. 90°C with standard BUNA N gaskets

- min. -20°C max. 120°C with optional VITON gaskets

• RECOMMENDATIONS:

Fluid: best use mineral oil with viscosity ranging between 10 and 200 cSt.

Filter: see page Z.9000.000.

230-0830

Weight:

- w. aluminium housing 0.87 kg
- w. steel housing 1.824 kg

Cartridge used: see page 4. 1000.200.

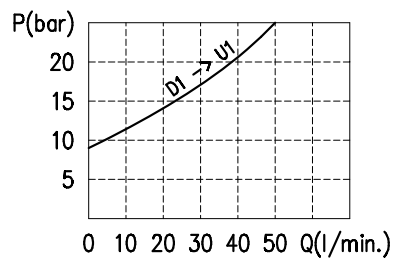
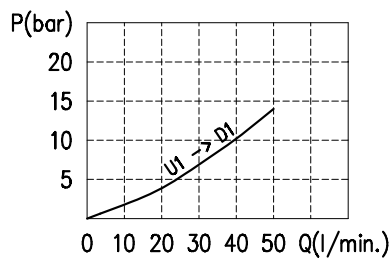
Material: internal components made out of high grade steel duly treated and fabricated.

For more information please ask our technical office .

Variations and modifications of technical features and dimensions are reserved. **OLEOSTAR S.p.A.** also reserves the right to stop production of each and any model listed in the catalogue with no notice.

Copyrights on the text contained herein belong to **OLEOSTAR S.p.A.** . Partial and full reproductions or copies of this catalogue are forbidden.

• **RATING DIAGRAMS**



Oil viscosity 46 cSt

• **CODE NUMBER**

VBPDL / T 12 /

