

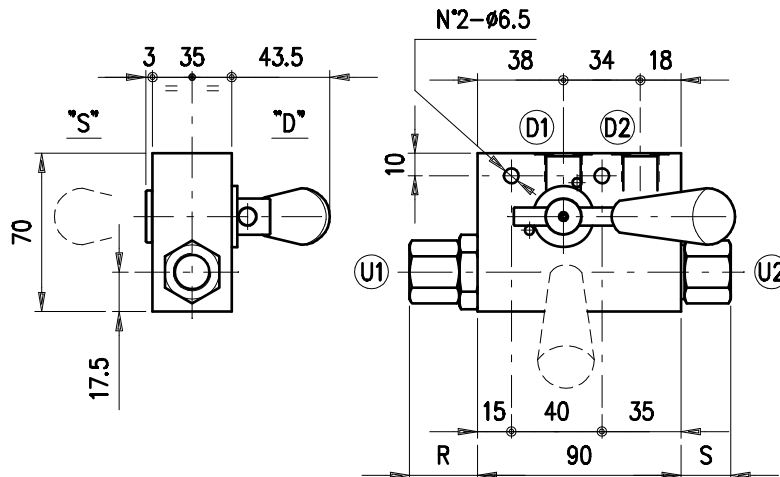
Entsperrbares Rückschlagventil – einfachwirkend mit Absperrhahn G 3/8" und G 1/2" –



Bestellnr.	Typ	Bezeichnung	Gehäuse	max. Betriebsdruck bar	max. Durchfluss l/min	Code
230-0740-2515	VBPSL/R/D 38/p4/ac	3/8"-Öff.-v.1:4,5-re. Version	Stahl	350	35	1415022102
230-0740-2520	VBPSL/R/S 38/p4/ac	3/8"-Öff.-v.1:4,5-li. Version				1415022103
230-0740-2525	VBPSL/R/D 12/p4	1/2"-Öff.-v.1:4,5-re. Version	Alu	210	50	1415031100
230-0740-2530	VBPSL/R/S 12/p4	1/2"-Öff.-v.1:4,5-li. Version				1415031101
230-0740-2535	VBPSL/R/D 12/p4/ac	1/2"-Öff.-v.1:4,5-re. Version	Stahl	350	50	1415032100
230-0740-2540	VBPSL/R/S 12/p4/ac	1/2"-Öff.-v.1:4,5-li. Version				1415032101

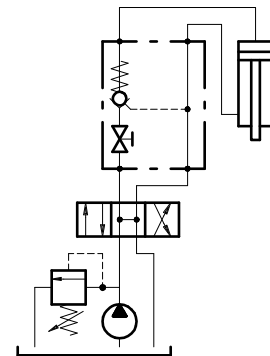
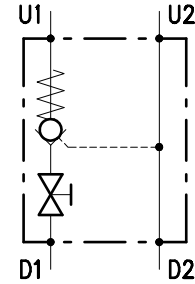
PILOT CHECK AND OVERCENTER VALVES
VBPSL /R /38 (12)

• DIMENSIONS (mm)



VBPSL	D1	D2	R	S
R 38	G 3/8	G 3/8	30	22
R 12	G 1/2	G 1/2	33	25

• HYDRAULIC DIAGRAM



• DESCRIPTION

Pilot operated check valves, single acting, line mounting, complete with built-in shut-off valve.

• OPERATION

Allows oil flow from D1 to U1 and stops it in the opposite way (from U1 to D1). Free oil flow from U1 to D1 is strictly possible when the pilot pressure in U2 and D2 is strong enough to open the valve poppet. To assert the minimum opening pressure divide the value of pressure in U1 by the pilot ratio. To provide best valve performance from U1 to D1 make sure that no counterpressure arises in D1. A built-in shut-off valve allows for flow break from D1 to U1 and viceversa, so that - at wish - the operator may cut the check valve off the hydraulic system.

• PERFORMANCE

Maximum flow:

- VBPSL/R 38=35 l/min.
- VBPSL/R 12=50 l/min.

Maximum pressure:

- 210 bar aluminium valve
- 350 bar steel valve

Oil leak from U1 to D1: 0,25 cc/minute (5 drops) at 210 bar.

Pilot ratio:

- 1:4 (standard)
- 1:6.3 (on request)
- 1:7.5 (on request)

Working temperature:

- min. -25°C max. 90°C with standard BUNA N gaskets
- min. -20°C max. 120°C with optional VITON gaskets

230-0740

• RECOMMENDATIONS:

Fluid: best use mineral oil with viscosity ranging between 10 and 200 cSt.

Filter: see page Z.9000.000.

Weight:

- VBPSL/R 38=w. aluminium housing 0.94 kg - w. steel housing 1.76 kg

- VBPSL/R 12=w. aluminium housing 0.95 kg - w. steel housing 1.77 kg

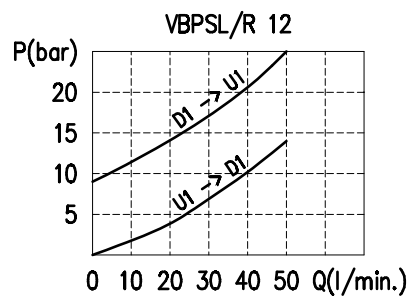
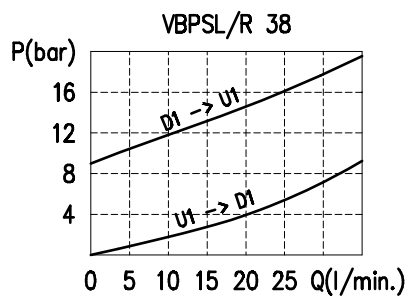
Material: internal components made out of high grade steel duly treated and fabricated.

For more information please ask our technical office .

Variations and modifications of technical features and dimensions are reserved. **OLEOSTAR S.p.A.** also reserves the right to stop production of each and any model listed in the catalogue with no notice.

Copyrights on the text contained herein belong to **OLEOSTAR S.p.A.** . Partial and full reproductions or copies of this catalogue are forbidden.

• RATING DIAGRAMS



Oil viscosity 46 cSt

• CODE NUMBER

