

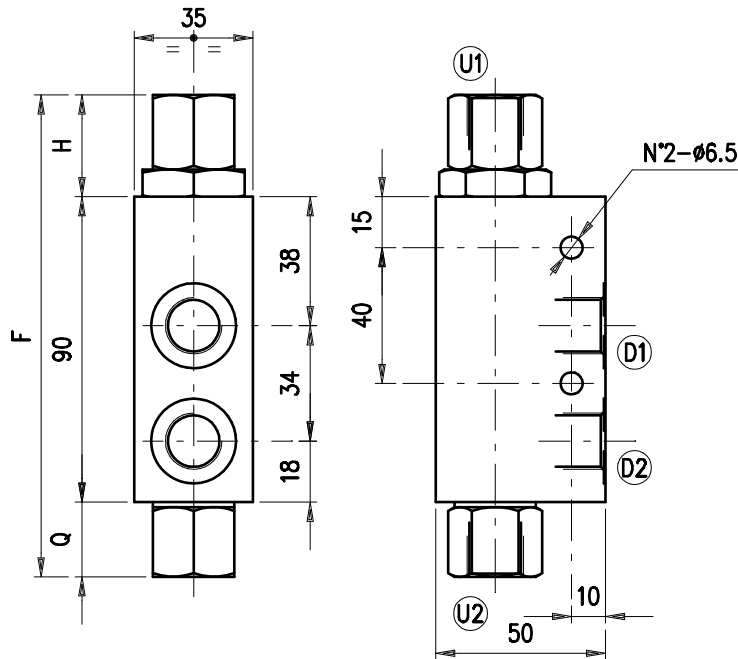
## Entsperrbares Rückschlagventil – einfachwirkend G 3/8" und G 1/2" –



Bestellnr.	Typ	Bezeichnung	Gehäuse	max. Betriebsdruck bar	max. Durchfluss l/min	Code
230-0670-2440	VBPSL 38/p4	3/8"-Öffnungsverh.1:4,5	Alu	210	35	1410021100
230-0670-2445	VBPSL 38/p4/ac	3/8"-Öffnungsverh.1:4,5	Stahl	350		1410022100
230-0670-2450	VBPSL 12/p4	1/2"-Öffnungsverh.1:4,5	Alu	210	50	1410031100
230-0670-2455	VBPSL 12/p4/ac	1/2"-Öffnungsverh.1:4,5	Stahl	350		1410032100

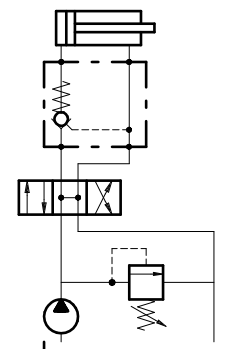
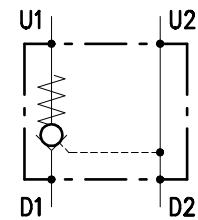
PILOT CHECK AND OVERCENTER VALVES  
**VBPSL 38 - (12)**

• DIMENSIONS (mm)



VBPSL	D1-D2	U1-U2	F	H	Q
38	G 3/8	G 3/8	142	30	22
12	G 1/2	G 1/2	148	33	25

• HYDRAULIC DIAGRAM



• DESCRIPTION

Pilot operated check valves, single acting, line mounting.

• OPERATION

Allows oil flow from D1 to U1 and stops it in the opposite way (from U1 to D1). Free oil flow from U1 to D1 is strictly possible when the pilot pressure in U2 and D2 is strong enough to open the valve poppet. To assert the minimum opening pressure divide the value of pressure in U1 by the pilot ratio. To provide best valve performance from U1 to D1 make sure that no counterpressure arises in D1.

• PERFORMANCE

**Maximum flow:**

- VBPSL 38=35 l/min.
- VBPSL 12=50 l/min.

**Maximum Pressure:**

- 210 bar aluminium valve
- 350 bar steel valve

**Oil leak from U1 to D1:** 0,25 cc/minute (5 drops) at 210 bar.

**Pilot ratio:**

- 1:4 (standard version)
- 1:6.3 (on request)
- 1:7.5 (on request)

**Working temperature:**

- min. -25°C max. 90°C with standard BUNA N gaskets
- min. -20°C max. 120°C with optional VITON gaskets