

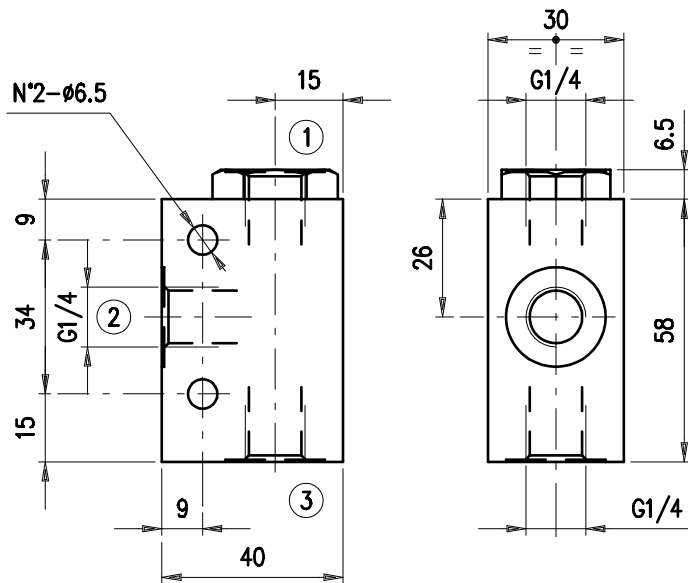
Wechselventile - G 1/4" -



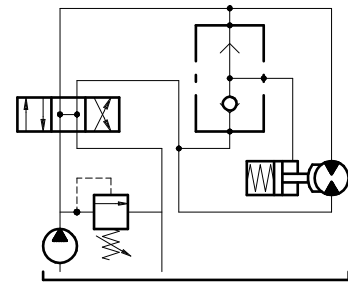
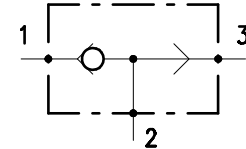
Bestellnr.	Typ	Bezeichnung	Gehäuse	max. Betriebsdruck bar	max. Durchfluss l/min	Code
230-0620-2385	VT 14/ac	1/4"	Stahl	400	20	1320012100

CHECK VALVES
VT 14

• DIMENSIONS (mm)



• HYDRAULIC DIAGRAM



• DESCRIPTION

Shuttle valve, ball type.

• OPERATION

Oil flow is produced from 1 to 2 or 3 to 2 with priority to the way with the bigger pressure.

• PERFORMANCE

Maximum flow: 20 l/min.

Maximum Pressure: 400 bar.

Working temperature:

- minimum 25°C and max +90°C with standard BUNA gaskets
- minimum 20°C and max +120°C with special VITON gaskets on request

• RECOMMENDATIONS

Fluid: best use mineral oil with viscosity ranging between 10 and 200 cSt.

Filter: see page Z.9000.000.

Weight: 0.48 kg

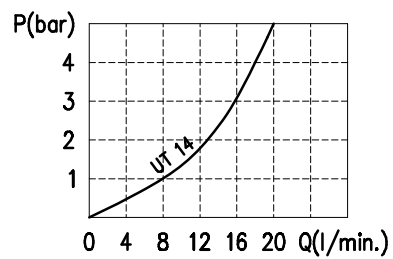
Material: internal components made out of high grade steel duly treated and fabricated.

For more information please ask our technical office.

Variations and modifications of technical features and dimensions are reserved. **OLEOSTAR S.p.A.** also reserves the right to stop production of each and any model listed in the catalogue with no notice.

Copyrights on the text contained herein belong to **OLEOSTAR S.p.A.** . Partial and full reproductions or copies of this catalogue are forbidden.

• RATING DIAGRAMS



Oil viscosity 46 cSt

• CODE NUMBER

VT 14 /ac