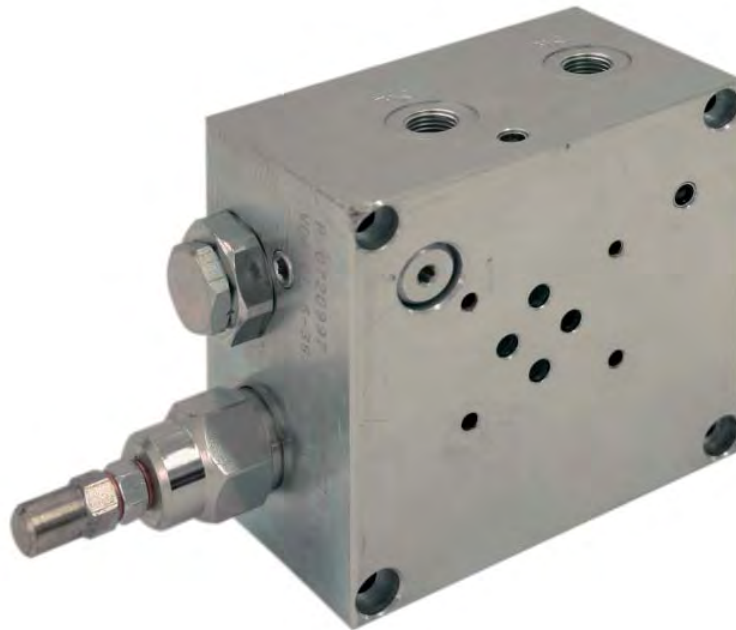


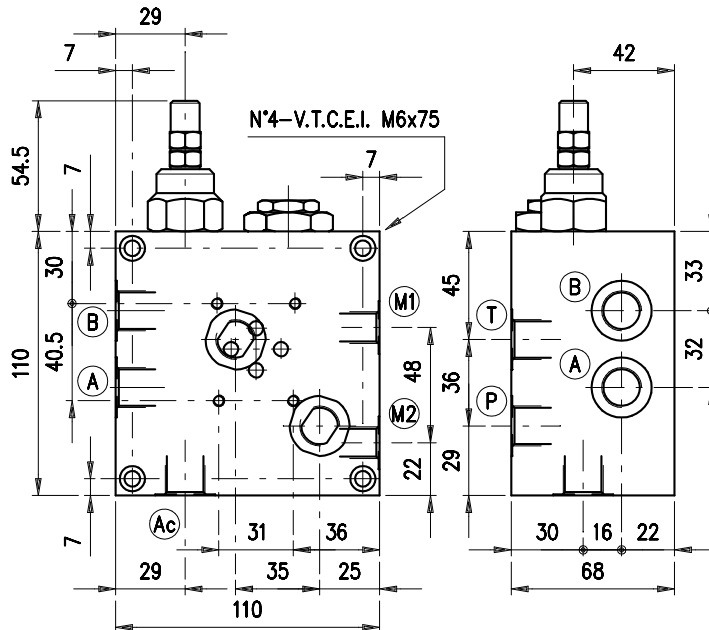
Druckabschaltventile – Cetop 03 Grundplatte G 3/8" –



Bestellnr.	Typ	Bezeichnung	Gehäuse	max. Betriebsdruck bar	max. Durchfluss l/min	Code
230-0360-1465	VDA/FL 6-38/TV.S.VRR	3/8"-Einstellb. 5-110bar-Hutmutter	Alu	250	25	1214021100
230-0360-1470	VDA/FL 6-38/TR.S.VRR	3/8"-Einstellb. 100-250bar-Hutmutter				1214021101
230-0360-1475	VDA/FL 6-38/TR.S.VRR/ac	3/8"-Einstellb. 100-250bar-Hutmutter	Stahl	350		1214022100

SEQUENCE
VDA /FL 6-38

DIMENSIONS (mm)



VDA/FL	A-B	P-T	M1	M2
6-38	G 3/8	G 3/8	G 1/4	G 1/4

DESCRIPTION

Automatic cut-off valve with "NG 6" flange.

OPERATION

Allows for pump discharge when the setting pressure is reached in P. Later the valve keeps constant pressure in P by means of the accumulator in Ac.

PERFORMANCE

Maximum flow: 25 l/min.

Maximum Pressure: 250 bar (aluminium body).

Application range with standard springs:

- 5 ÷ 110 bar (test setting: 90 bar at 5 l/min.)
- 100 ÷ 250 bar (test setting: 200 bar at 5 l/min.)

To perform setting of the valve see the pressure drop / flow diagram.

Connection Pressure:

- 15% of the valve setting pressure for standard valves
- ask our technical office for special valves

Working temperature:

- min. -25°C max. 90°C with standard BUNA N gaskets
- min. -20°C max. 120°C with optional VITON gaskets

RECOMMENDATIONS

Fluid: best use mineral oil with viscosity ranging between 10 and 200 cSt.

Filter: see page Z.9000.000.

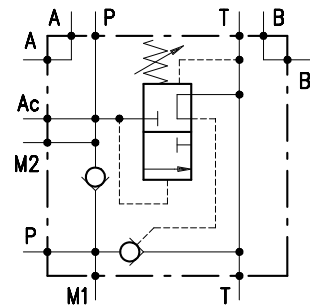
Weight: 2.43 kg (aluminium body).

Material: internal components made out of high-grade steel duly treated and fabricated.

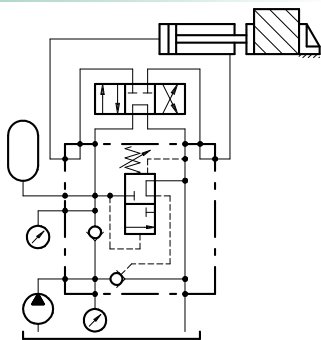
For more information please ask our technical office.

OLEOSTAR

HYDRAULIC DIAGRAM



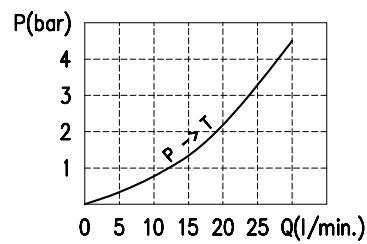
ASSEMBLY DIAGRAM



Variations and modifications of technical features and dimensions are reserved. **OLEOSTAR S.p.A.** also reserves the right to stop production of each and any model listed in the catalogue with no notice.

Copyrights on the text contained herein belong to **OLEOSTAR S.p.A.** . Partial and full reproductions or copies of this catalogue are forbidden.

• RATING DIAGRAMS



Oil viscosity 46 cSt

• CODE NUMBER

