

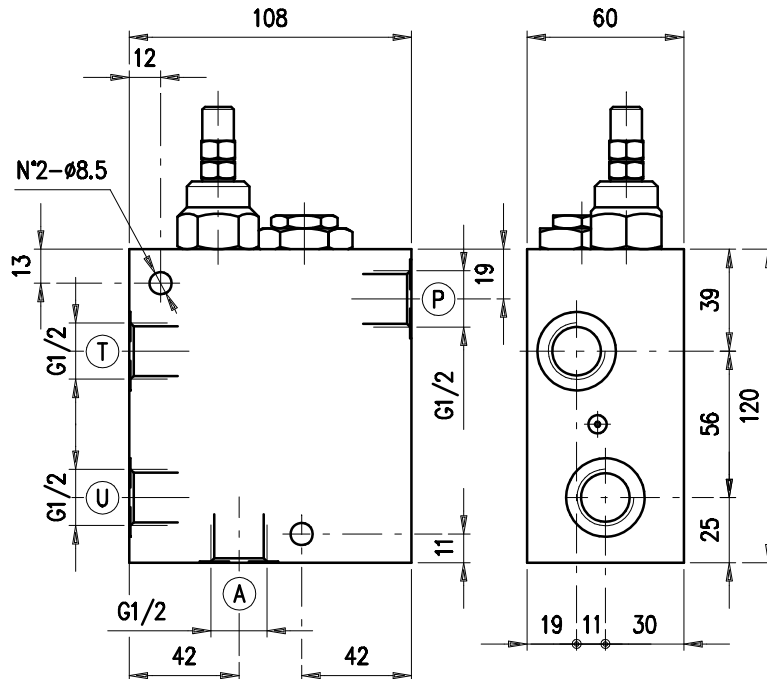
Druckabschaltventile - G 1/2" -



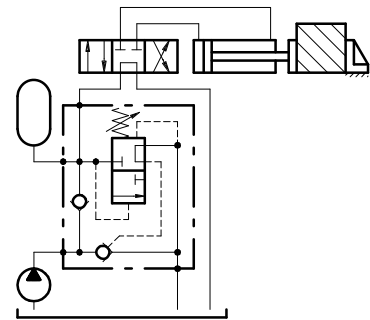
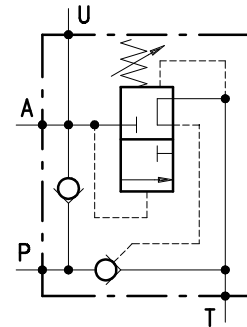
Bestellnr.	Typ	Bezeichnung	Gehäuse	max. Betriebsdruck bar	max. Durchfluss l/min	Code
230-0320-1415	VDA 12/TV.S.VRR	1/2"-Einstellb. 5-110bar-Hutmutter	Alu	250	50	1210031100
230-0320-1420	VDA 12/TR.S.VRR	1/2"-Einstellb. 100-250bar-Hutmutter				1210031101
230-0320-1425	VDA 12/TR.S.VRR/ac	1/2"-Einstellb. 100-250bar-Hutmutter	Stahl	350		1210032101

SEQUENCE
VDA 12

• DIMENSIONS (mm)



• HYDRAULIC DIAGRAM



• DESCRIPTION

Automatic cut-off valve.

• OPERATION

Allows for pump discharge when the setting pressure is reached in U. Later the valve keeps constant pressure in U by means of the accumulator in A.

• PERFORMANCE

Maximum flow: 50 l/min.

Maximum Pressure: 250 bar (aluminium body).

Application range with standard springs:

- 5 ÷ 110 bar (test setting: 90 bar at 5 l/min.)
- 100 ÷ 250 bar (test setting: 200 bar at 5 l/min.)

To perform setting of the valve see the pressure drop / flow diagram.

Connection Pressure:

- 15% of the valve setting pressure for standard valves
- ask our technical office for special valves

Working temperature:

- min. -25°C max. 90°C with standard BUNA N gaskets
- min. -20°C max. 120°C with optional VITON gaskets

• RECOMMENDATIONS

Fluid: best use mineral oil with viscosity ranging between 10 and 200 cSt.

Filter: see page Z.9000.000.

Weight: 2.35 kg (aluminium body).

Material: internal components made out of high-grade steel duly treated and fabricated.

For more information please ask our technical office.

230-0320