

Rohrleitungsventile – Schockventil direktgesteuert –

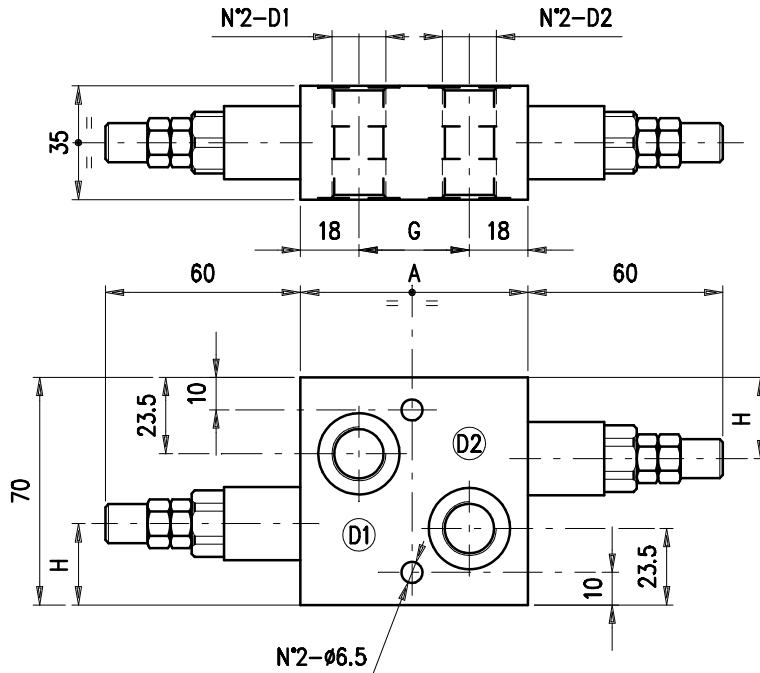


	Bestellnr.	Typ	Bezeichnung	Gehäuse	max. Betriebsdruck bar	max. Durchfluss l/min	Code		
direktgesteuert	230-0200-0850	VAIL 5-38/TB.S	3/8"-Einstellb. 5-40bar-Hutmutter	Alu	210	25	1140021100		
	230-0200-0855	VAIL 5-38/TV.S	3/8"-Einstellb. 20-80bar-Hutmutter				1140021101		
	230-0200-0860	VAIL 5-38/TS.S	3/8"-Einstellb. 50-220bar-Hutmutter				1140021102		
	230-0200-0865	VAIL 5-38/TR.S	3/8"-Einstellb. 180-350bar-Hutmutter				1140021103		
	230-0200-0870	VAIL 5-12/TB.S	1/2"-Einstellb. 5-40bar-Hutmutter			Stahl	350	25	1140021150
	230-0200-0875	VAIL 5-12/TV.S	1/2"-Einstellb. 20-80bar-Hutmutter						1140021151
	230-0200-0880	VAIL 5-12/TS.S	1/2"-Einstellb. 50-220bar-Hutmutter						1140021152
	230-0200-0885	VAIL 5-12/TR.S	1/2"-Einstellb. 180-350bar-Hutmutter					1140021153	
	230-0200-0890	VAIL 5-38/TR.S/ac	3/8"-Einstellb. 180-350bar-Hutmutter	35	1140022101				
	230-0200-0895	VAIL 5-12/TS.S/ac	3/8"-Einstellb. 50-220bar-Hutmutter		1140022150				
	230-0200-0900	VAIL 5-12/TR.S/ac	1/2"-Einstellb. 180-350bar-Hutmutter		1140022151				

230-0200

PRESSURE RELIEF VALVES
VAIL 5 -

• DIMENSIONS (mm)



VAIL	A	G	H	D1	D2
5-38	70	34	25	G 3/8	G 3/8
5-12	75	39	24.5	G 1/2	G 1/2

• DESCRIPTION

Dual cross-line relief valve. Direct acting, poppet type, line mounting.

• OPERATION

Allows pressure relief on delivery pipes to engines and cylinders.
Actuator close mount is recommended to assure a more rapid valve action.

• PERFORMANCE

Maximum flow:

- VAIL 5-38 = 25 l/min.
- VAIL 5-12 = 35 l/min.

Maximum Pressure:

- 210 bar (aluminium valves)
- 350 bar (steel valves)

Application range with standard springs:

- 5 + 40 bar (test setting: 30 bar at 5 l/min.)
- 20 + 80 bar (test setting: 60 bar at 5 l/min.)
- 50 + 220 bar (test setting: 160 bar at 5 l/min.)
- 180 + 350 bar (test setting: 250 bar at 5 l/min.)

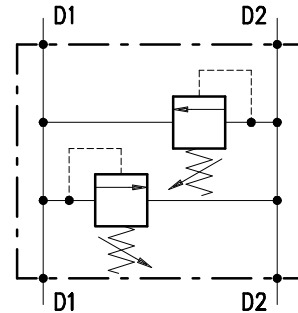
To perform setting of the valve see the pressure drop/ flow diagram.

Hysteresis: 85% of the valve setting for 1 L. flow capacity per minute.

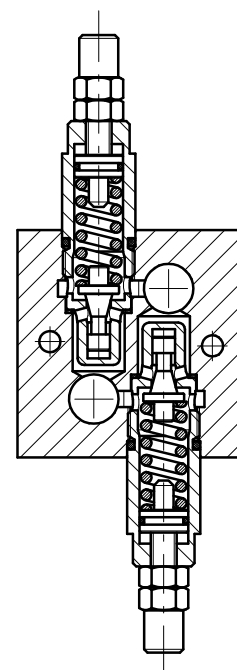
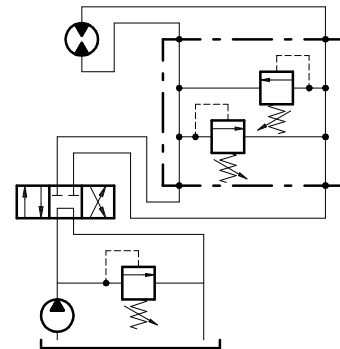
Working temperature:

- min. -25°C max. 90°C with standard BUNA N gaskets
- min. -20°C max. 120°C with optional VITON gaskets

• HYDRAULIC DIAGRAM



• ASSEMBLY DIAGRAM



230-0200

• RECOMMENDATIONS

Fluid: best use mineral oil with viscosity ranging between 10 and 200 cSt.

Filter: see page Z.9000.000.

Weight:

- 0.67 kg aluminium valves (VAIL 5-38 and VAIL 5-12)
- 1.29 kg steel valves (VAIL 5-38 and VAIL 5-12)

Cartridge used: see page 1.1000.100.

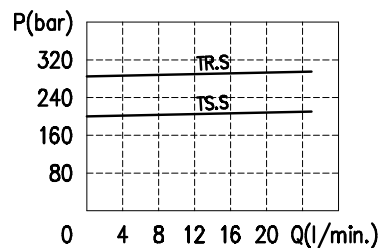
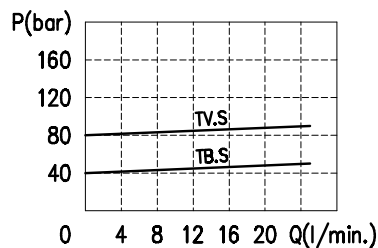
Material: internal components made out of high-grade steel duly treated and fabricated.

For more information please ask our technical office.

Variations and modifications of technical features and dimensions are reserved. **OLEOSTAR S.p.A.** also reserves the right to stop production of each and any model listed in the catalogue with no notice.

Copyrights on the text contained herein belong to **OLEOSTAR S.p.A.** . Partial and full reproductions or copies of this catalogue are forbidden.

• RATING DIAGRAMS



Oil viscosity 46 cSt

• ADJUSTMENTS



• CODE NUMBER

