

Filter

- Saugfilter -

Serie HF 410



Bestellnr.	Typ - 125 µ -	Gewinde G	max. Durchfluss l/min	Code
300-010-1000	HF410-10.060-AS-FB125-GC-A01-B1	3/8"	15	HHB00010
300-010-1050	HF410-10.060-AS-FB125-GC-A02-B1	3/8"	15	HHB00011
300-010-1100	HF410-20.077-AS-FB125-GD-A01-B1	1/2"	20	HHB04002
300-010-1150	HF410-20.077-AS-FB125-GD-A02-B1	1/2"	20	HHB04007
300-010-1200	HF410-20.077-AS-FB125-GE-A01-B1	3/4"	30	HHB04005
300-010-1250	HF410-20.077-AS-FB125-GE-A02-B1	3/4"	30	HHB04150
300-010-1300	HF410-20.122-AS-FB125-GE-A01-B1	3/4"	40	HHB10002
300-010-1350	HF410-20.122-AS-FB125-GE-A02-B1	3/4"	40	HHB10009
300-010-1400	HF410-20.122-AS-FB125-GF-A01-B1	1"	55	HHB10059
300-010-1450	HF410-20.122-AS-FB125-GF-A02-B1	1"	55	HHB10058
300-010-1500	HF410-30.122-AS-FB125-GF-A01-B1	1"	60	HHB20002
300-010-1550	HF410-30.122-AS-FB125-GF-A02-B1	1"	60	HHB20050
300-010-1600	HF410-30.162-AS-FB125-GG-A01-B1	1 1/4"	90	HHB24002
300-010-1650	HF410-30.162-AS-FB125-GG-A02-B1	1 1/4"	90	HHB24003
300-010-1700	HF410-30.195-AS-FB125-GH-A01-B1	1 1/2"	130	HHB30002
300-010-1750	HF410-30.195-AS-FB125-GH-A02-B1	1 1/2"	130	HHB30009
300-010-1800	HF410-40.162-AS-FB125-GL-A01-B1	2"	140	HHB42002
300-010-1850	HF410-40.162-AS-FB125-GL-A02-B1	2"	140	HHB42026
300-010-1900	HF410-40.195-AS-FB125-GL-A01-B1	2"	200	HHB46002
300-010-1950	HF410-40.195-AS-FB125-GL-A02-B1	2"	200	HHB46007
300-010-2000	HF410-40.239-AS-FB125-GL-A01-B1	2"	250	HHB52002
300-010-2050	HF410-40.239-AS-FB125-GL-A02-B1	2"	250	HHB52007

SUCTION FILTERS HF 410 SERIES



Replaces: HF 410 01 TE

The tank submerged suction filters HF 410 series are designed to be fitted directly on pump intake and provide versatility to safeguard the hydraulic components from contaminating particles.

- ARRANGED FOR CLOGGING INDICATOR
- BY-PASS VALVE (Standard setting - 20 [kPa]; - 0,2 [bar])
- MAGNETIC SET

MATERIALS	Connecting head	Reinforced nylon
	End cap	Zinc plated steel
	Inner tube	Zinc plated steel
	Filter media	Phosphor bronze
		Steel wire mesh
Seals	Stainless steel wire mesh	
FLUID COMPATIBILITY CONFORMING TO ISO 2943	With reference to ISO 6743/4	Buna With mineral oil (HH-HM-HR-HV-HG) and synthetic fluid (HS-HFDR-HFDU-HFDS)
ELEMENT COLLAPSE PRESSURE RATING	Conforming to ISO 2941	100 [kPa] 1 [bar]
FLOW RANGE	min.	10 [l/min]
	max.	300 [l/min]
DEGREE OF FILTRATION	Phosphor bronze	60 - 125 [µm]
	Steel wire mesh	90 [µm]
	Stainless steel wire mesh	25 - 60 - 250 [µm]
OPERATING TEMPERATURE		- 30 + 90 [°C]

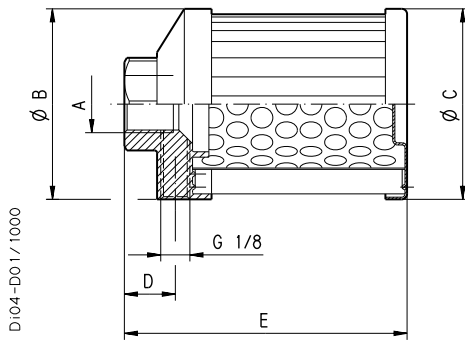
Edition: 02/07.20011

IKRON S.r.l.

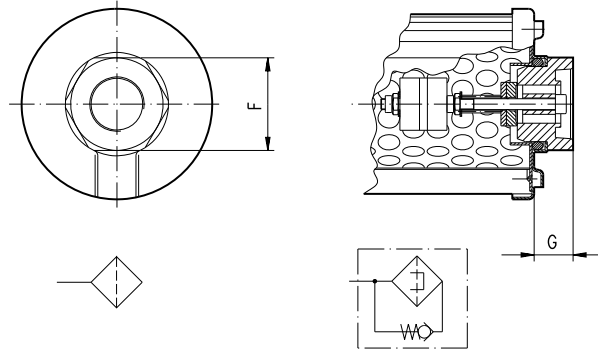
43044 Lemignano di Collecchio (PR) - Italy Via C. Prampolini, 2
Telephone: (+ 39) 0521 304911 - Fax (+ 39) 0521 304900 - <http://www.casappa.com> - e-mail: ikron@casappa.com

TECHNICAL DATA

VERSION A01



VERSION A06



D104-D01/1000

Filter type	A (Thread GAS - BSPP)		Ø B	Ø C	D	E	F	G	Standard filtering surface	Oversized filtering surface
	Standard (*)	On request (*)								
HF410-10.060	G 3/8	G 1/2	54	52	15,2	83	27	12	290	370
HF410-20.077	G 1/2	G 3/4 - G 1 - G 1 1/4	72,5	70	18,2	103	34 (■)	15	370	490
HF410-20.122	G 3/4	G 1/2 - G 1 - G 1 1/4				148			585	780
HF410-30.077	G 1	G 1 1/4 - G 1 1/2 - G 2	102	99	23,7 (●)	109	60 (□)	14,6	525	680
HF410-30.122						154			830	1075
HF410-30.162	G 1 1/4	G 1 - G 1 1/2 - G 2	132,5	130	27	194	100	14,6	1295	1425
HF410-30.195	G 1 1/2	G 1 - G 1 1/4 - G 2				227			1560	1870
HF410-40.122	G 2	G 2 1/2 - G 3	132,5	130	27	162	100	14,6	1515	2000
HF410-40.162						202			2010	2655
HF410-40.195						235			2420	3200
HF410-40.239						279			3970	5260

(*) NPT and metric threads are available (consult our technical department).

(●) D= 28 mm only with A= G 2

(■) F= 50 mm only with A= G 1 - G 1 1/4

(□) F= 70 mm only with A= G 2

HOW TO ORDER

1	2	3	4	5	6
HF 410-10.060	- AS	- FB060	- GC	- A01	- B1

1	Filter type	CODE
See table above		HF 410-..

2	Filtering surface	CODE
Standard		AS
Oversized (on request)		FS

3	Degree of filtration	CODE
60 [µm] Phosphor bronze		FB060
125 [µm] Phosphor bronze		FB125
90 [µm] Steel wire mesh		MS090
25 [µm] Stainless steel wire mesh		MI025
60 [µm] Stainless steel wire mesh		MI060
250 [µm] Stainless steel wire mesh		MI250

Standard

4	Inlet port	CODE
Thread GAS (BSPP)		
G 3/8		GC
G 1/2		GD
G 3/4		GE
G 1		GF
G 1 1/4		GG
G 1 1/2		GH
G 2		GL
G 2 1/2		GM
G 3		GN

5	Optionals	CODE
None (standard)		A01
With By-pass		A02
With By-pass and magnetic set		A06

6	Arrangement	CODE
None		B1
Hole for indicator		B2
Plugged hole for indicator		B3

On request

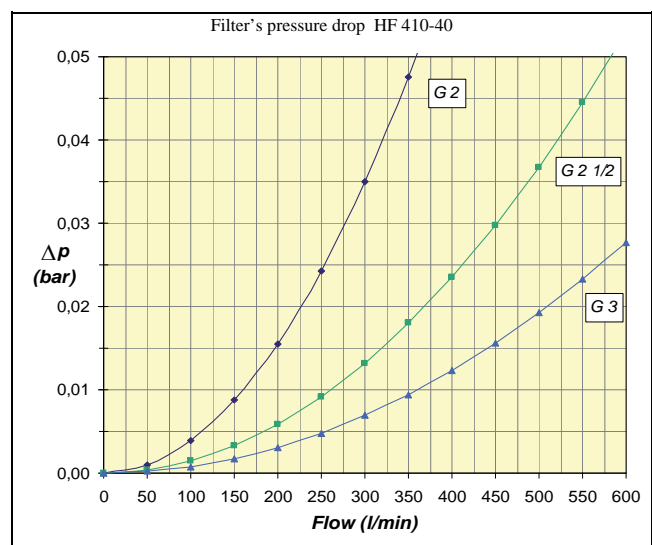
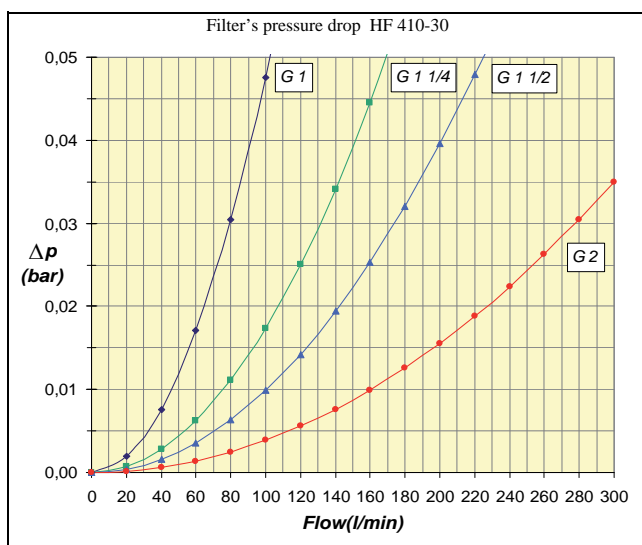
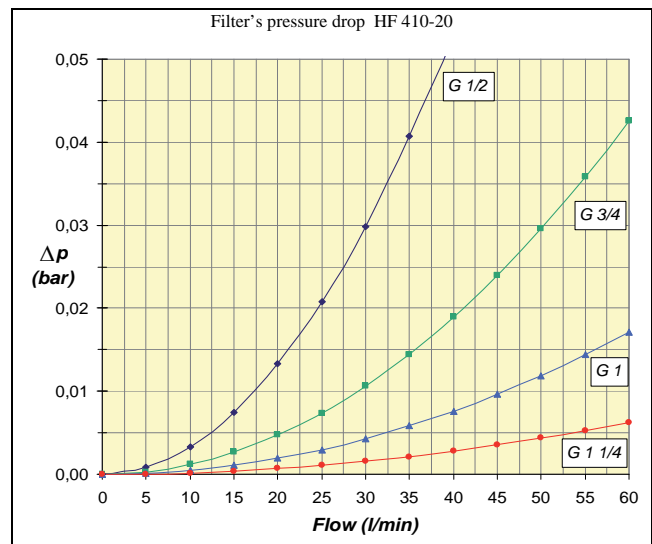
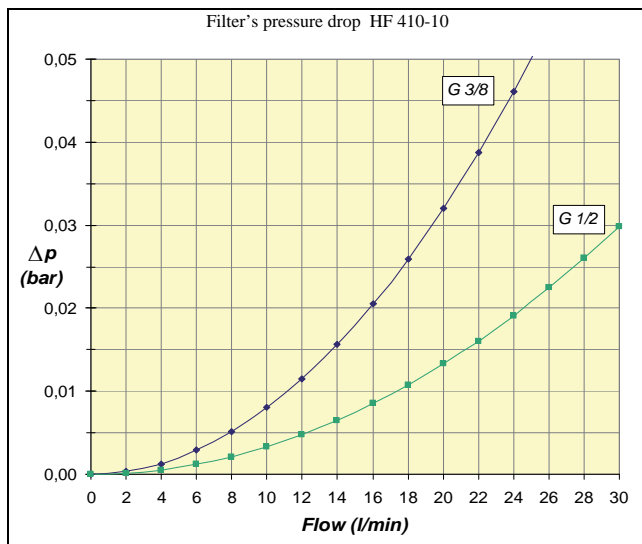
Replaces: 06.98

D104-002 - 02/07.2001

PRESSURE DROP CURVES

The pressure drop for filters HF 410 is 0,02 bar max.

1) Filter's **pressure drop** is determined by the inlet port's dimension.



FILTRI HF 410 / FILTERS HF 410

Bocca Ingresso Inlet Port	25 MICRON		60 MICRON		90 MICRON		Peso Filtro Filter Weight (Kg)
	Portata Flow (lt/min)	Filtro Tipo Filter Type	Portata Flow (lt/min)	Filtro Tipo Filter Type	Portata Flow (lt/min)	Filtro Tipo Filter Type	
G 3/8"	5	HF410-10.060	15	HF410-10.060	15	HF410-10.060	0,1
G 1/2"	8	MI025	20	FB060-MI060	20	MS090	
G 1/2"	10	HF410-20.077 MI025	20	HF410-20.077 FB060-MI060	20	HF410-20.077 MS090	0,15
G 3/4"	15		30		30		
G 1"	20		45		45		
G 1"1/4"	25		55		55		
G 1/2"	15	HF410-20.122 MI025	25	HF410-20.122 FB060-MI060	25	HF410-20.122 MS090	0,2
G 3/4"	20		40		40		
G 1"	25		55		55		
G 1"1/4"	30		60		60		
G 1"	15	HF410-30.077 MI025	25	HF410-30.077 FB060-MI060	25	HF410-30.077 MS090	0,3
G 1"1/4"	20		40		40		
G 1"1/2"	25		55		55		
G 2"	30		60		60		
G 1"	30	HF410-30.122 MI025	60	HF410-30.122 FB060-MI060	60	HF410-30.122 MS090	0,35
G 1"1/4"	35		80		80		
G 1"1/2"	40		90		90		
G 2"	45		100		100		
G 1"	35	HF410-30.162 MI025	60	HF410-30.162 FB060-MI060	60	HF410-30.162 MS090	0,4
G 1"1/4"	40		90		90		
G 1"1/2"	45		120		120		
G 2"	50		130		130		
G 1"	40	HF410-30.195 MI025	65	HF410-30.195 FB060-MI060	65	HF410-30.195 MS090	0,45
G 1"1/4"	45		110		110		
G 1"1/2"	50		130		130		
G 2"	55		140		140		
G 2"	50	HF410-40.122 MI025	130	HF410-40.122 FB060-MI060	130	HF410-40.122 MS090	0,65
G 2"1/2"	60		150		150		
G 3"	70		190		190		
G 2"	60	HF410-40.162 MI025	140	HF410-40.162 FB060-MI060	140	HF410-40.162 MS090	0,7
G 2"1/2"	70		160		160		
G 3"	80		200		200		
G 2"	90	HF410-40.195 MI025	200	HF410-40.195 FB060-MI060	200	HF410-40.195 MS090	0,8
G 2"1/2"	100		220		220		
G 3"	110		240		240		
G 2"	130	HF410-40.239 MI025	250	HF410-40.239 FB060-MI060	250	HF410-40.239 MS090	0,85
G 2"1/2"	150		270		270		
G 3"	300		300		300		

300-010

FILTRI HF 410 / FILTERS HF 410

<i>Bocca Ingresso Inlet Port</i>	125 MICRON		250 MICRON		<i>Peso Filtro Filter Weight (Kg)</i>
	<i>Portata Flow (lt/min)</i>	<i>Filtro Tipo Filter Type</i>	<i>Portata Flow (lt/min)</i>	<i>Filtro Tipo Filter Type</i>	
G 3/8"	15	HF410-10.060	15	HF410-10.060	0,1
G 1/2"	20	FB125	20	MS250	
G 1/2"	20	HF410-20.077 FB125	20	HF410-20.077 MS250	0,15
G 3/4"	30		30		
G 1"	45		45		
G 1"1/4"	55		55		
G 1/2"	25	HF410-20.122 FB125	25	HF410-20.122 MS250	0,2
G 3/4"	40		40		
G 1"	55		55		
G 1"1/4"	60		60		
G 1"	25	HF410-30.077 FB125	25	HF410-30.077 MS250	0,3
G 1"1/4"	40		40		
G 1"1/2"	55		55		
G 2"	60		60		
G 1"	60	HF410-30.122 FB125	60	HF410-30.122 MS250	0,35
G 1"1/4"	80		80		
G 1"1/2"	90		90		
G 2"	100		100		
G 1"	60	HF410-30.162 FB125	60	HF410-30.162 MS250	0,4
G 1"1/4"	90		90		
G 1"1/2"	120		120		
G 2"	130		130		
G 1"	65	HF410-30.195 FB125	65	HF410-30.195 MS250	0,45
G 1"1/4"	110		110		
G 1"1/2"	130		130		
G 2"	140		140		
G 2"	130	HF410-40.122 FB125	130	HF410-40.122 MS250	0,65
G 2"1/2"	150		150		
G 3"	190		190		
G 2"	140	HF410-40.162 FB125	140	HF410-40.162 MS250	0,7
G 2"1/2"	160		160		
G 3"	200		200		
G 2"	200	HF410-40.195 FB125	200	HF410-40.195 MS250	0,8
G 2"1/2"	220		220		
G 3"	240		240		
G 2"	250	HF410-40.239 FB125	250	HF410-40.239 MS250	0,85
G 2"1/2"	270		270		
G 3"	300		300		

300-010